



QUALITY CHAINS

DRIVE - LIFTING - CONVEYING - SPROCKETS -
CHAIN GUIDES - ATTACHMENTS

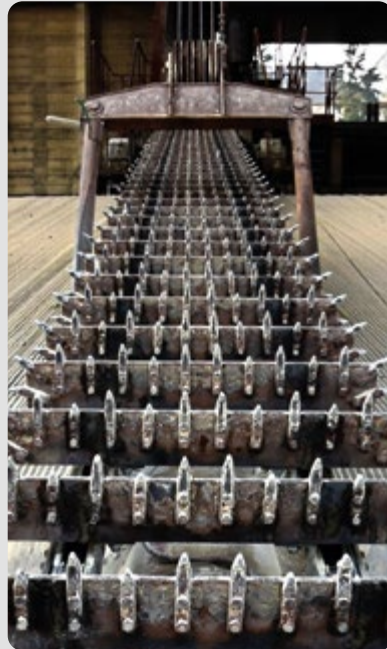






TABLE OF CONTENTS

CONVEYOR CHAINS HOLLOW PIN CONVEYOR CHAINS	4
SPROCKETS METRIC PITCH	11
SCRAPER CHAINS	12
DROP FORGED LINK CHAINS, SPROCKETS AND IDLER ROLLERS	16
rEVOLUTION SCRAPER CHAINS	18
 SCRAPERS	20
PRECISION ROLLER CHAINS	22
PRECISION ROLLER CHAINS WITH ATTACHMENTS	29
CORROSION-RESISTANT CHAINS	33
STAINLESS STEEL ROLLER CHAINS	35
MEGA II	38
POLY STEEL CHAINS	42
SPROCKETS PCD METRIC PITCH	44
SHEAR BOLT SPROCKETS	45
LEAF CHAINS	46
PROFESSIONAL CHAIN WEAR GAUGE	52
CHAIN BREAKER	53
 INDUSTRIAL CHAIN LUBRICATION SYSTEMS	54



Subject to technical and dimensional changes as well as printing errors. © FB Ketten Handelsgesellschaft mbH, A-6330 Kufstein

WE ARE FB CHAIN

18
70

SWEDEN
Founded by Adolf Fredrik Hedengran

19
12

THE FIRST FB CHAINS

Start of production of roller chains, sharp-top roller chains, leaf chains and bush conveyor chains "efbe" brand in Eskilstuna

19
45

FINLAND
Production of bush and special conveyor chains including attachments

19
86

ENGLAND
Start of production of anchor bolts for leaf chains and components for industrial vehicles as well as for the engineering industry

19
89

AUSTRIA
Foundation of FB Ketten

19
95

GLOBAL CORPORATE BRAND
of all FB companies changed to the registered trademark FB

19
99

GERMANY
Foundation of FB Ketten

20
07

ENGLAND
Foundation of FBkc – manufacturer of special chains including installation service. Since 2019, part of FB Group

20
14

FRANCE
Foundation of FB Chaines

20
19

SWITZERLAND
Acquisition of Brandenberger Chain

20
21

FINLAND
FB Ketju has significantly increased its capacity and opened a second chain production in Lappi

RotaLube®
becomes part of FB Group



CHAIN SOLUTIONS FOR ALL INDUSTRIAL SECTORS

The origins of FB date back to 1870, when Adolf Fredrik Hedengran founded a factory for the manufacture of iron and steel products in Eskilstuna, Sweden. In the following years, FB manufactured a variety of different bespoke products and started producing the first transmission and conveyor chains in 1912. The corporate history of well over a century is characterised by regular realignments to changing customer requirements and market conditions. Today, FB is one of Europe's largest high quality manufacturer and supplier of conveyor chains, transmission chains, leaf chains and sprockets.

Technology and market leader

Through close cooperation with our customers, we have become the technology and market leader in the woodworking industry and biomass heating power plant. FB chain application engineers develop innovative and profitable solutions, which we have been manufacturing in our own chain factories in Scandinavia since 1912. Benefit from our expertise and the service of your experienced FB sales engineers, who will develop innovative and profitable solutions for you.

Individual solutions

Do you have problems finding the right product or do you see room for improvement in existing products? We will be happy to provide you with information or be available for enquiries and technical details on site. Continuous improvement and proving our efficiency daily is what drives us.



Extensive Stock

In Kufstein (A) and Eslohe (D) we maintain an extensive stock of standard conveyor chains according to DIN8165 and DIN8167, scraper chains, high-performance roller chains according to DIN8187 and DIN8188, toothed roller chains, roller chains with plastic attachments, leaf chains as well as many selected special chains.

Experienced FB sales technicians

Benefit from the experience and service of our experienced FB sales engineers, who will develop innovative and profitable solutions for you.

Our technicians are also available for information, inquiries and technical clarification on site.

The FB Group distributes its products in Germany, Austria, Switzerland, Benelux, France, Spain, Portugal, Slovakia, Slovakia, Hungary, Slovenia, Croatia, Romania, Czech Republic, Great Britain, Scandinavia and overseas. In all these FB companies and FB partners will be happy to will be happy to take care of your concerns.



FB CONVEYOR CHAINS

DIN 8165, DIN 8167 (ISO 1977), SMS 1698

Conveyor chains produced by FB meet highest quality demands. FB conveyor chains with welded pins and bushes (type HT and HTH) feature the world's highest fatigue strength, operational safety and breaking load.

We achieve the high breaking load and fatigue strength by using high-quality steels which are very good for welding, our optimised chain design which has been improved over decades and the heat treatments that perfectly match the materials used.

In Scandinavia, we have been producing conveyor chains for over 110 years. In 2019 we started the newest and most modern production facility in Lappi (Finland).



High operational safety and system availability

Round riveted pins guarantee high fatigue strength and stability. Optionally 30-50% higher fatigue load and breaking strength due to welded pins and bushes



High quality and long service life

Due to high-quality steels, optimised chain design, process-controlled component production and heat treatment as well as fully automated chain assembly

ADVANTAGES



High load capacity and fatigue strength

Precision punched plates with optimal and strong press fit increase resistance to shock loads and lateral loads



Ideal for welding on attachments

Thanks to link plates with low carbon content and high strength



Flexibility and tailored solutions

We customize dimensions, materials, heat treatments and designs to the parameters of your application. Stainless and hardened link parts are approved and tested solution for corrosive environment



Ready to install solutions – resource-saving, sustainable and cost-efficient

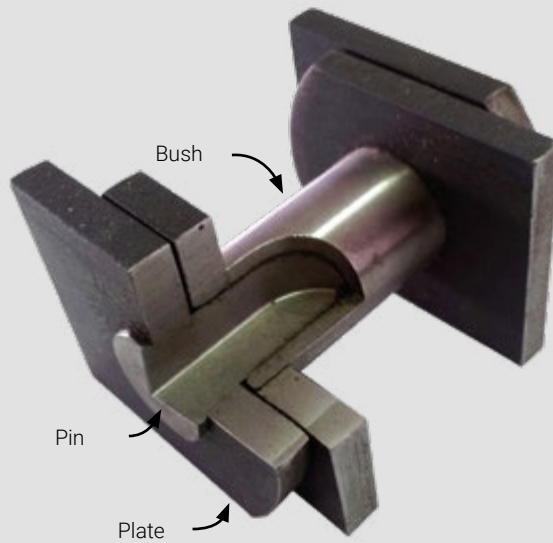
If required, we can cut the chains to length according to your specifications and install attachments. For you, this means less waste, lower costs and less effort



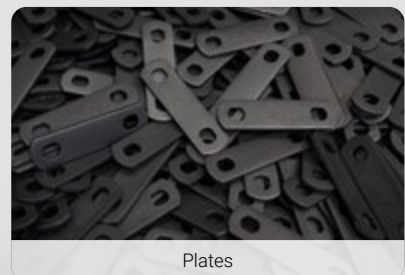
State-of-the-art technology

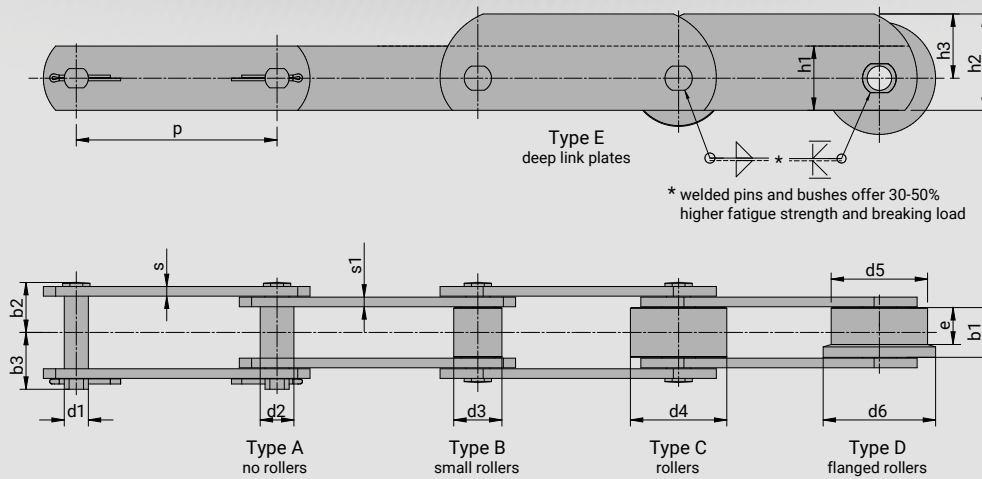
Customer-oriented and sustainable product and application development through constant exchange and close cooperation with plant operators and leading OEMs. Continuous investment in modern tools, machines and robot technology

MATERIALS, HEAT TREATMENTS AND MANUFACTURING PROCESSES



	Pins	Bushes	Rollers	Plates
Materials:	alloy steels, on request also stainless and acid-resistant			easily weldable steels with low carbon content and high strength, on request also available as stainless and acid-resistant design
Heat treatment:	induction-hardened and ground on the bearing surface	case-hardened, optionally hardened and tempered and induction-hardened and ground		naturally hard, hardened and tempered or induction-hardened
Assembly:	round riveted or welded, optionally case-hardened materials	seamless drawn tube with anti-rotation shoulders, press-fitted with a very precise fit and welded from the outside of the inner plate if required	modern CNC machining centres	precision punched plate holes, double or triple punched
Options:	other locking methods such as head pins, clips, cotter pins or locking rings	maintenance-free bearings (e.g. IGUS)	wear bushes, ball bearings, needle bearings	coatings (e.g. galvanised)





30-50% increase in operational safety due to welded FB conveyor chains

FB is the leading manufacturer of welded conveyor chains. FB welding specialists continuously develop welding processes and welding robots to meet the high demands and requirements of our customers. The demand for longest possible chain service life, very high system availability and operational safety as well as lowest possible operating costs is the driver behind finding the best commercial and technical solution for you every day.



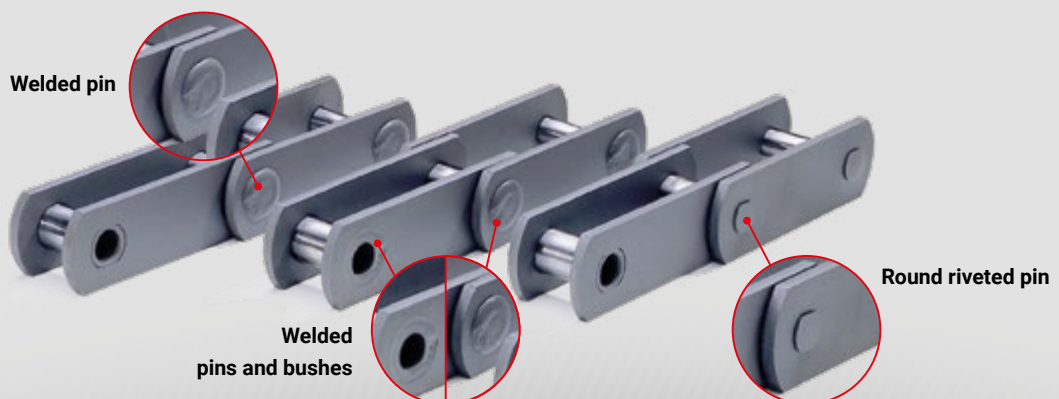
Custom solutions

Conveyor chains can be adapted to any job in the field of conveying by means of welded and bended attachments, extended or weld-on pins, outer or inner rollers made of steel or plastic, low-maintenance bush bearings or ball bearings.



Quality controls

We are committed to produce and supply high-quality, reliable and cost-efficient chains for our customers. To achieve this, we have established very demanding quality control standards. We monitor and control every production step and test the chains before shipping. We work closely with users, technical universities and external testing institutions to ensure the continuous development of our conveyor chains and manufacturing methods.





FB CONVEYOR CHAINS DIN 8165, FV SERIES

Type	Break- ing load	Allowed load	Pitch	Inner width	Pin	Bush	Type B roller	Type C roller	Type D roller		Plates					
	F _B min	F _{DYN} min	P	b ₁	d ₁	d ₂	d ₃	d ₄	d ₅	d ₆	b ₂	b ₃	s/s ₁	h ₁	h ₂	h ₃
	(kN)	(N)	(mm)	(mm)	(mm)	(mm)	(mm)	(mm)	(mm)	(mm)	(mm)	(mm)	(mm)	(mm)	(mm)	(mm)
(FV40)	40	6.700	40 50 63 80 100	18	10	15	20	32	40	48	18,5	22,0	4	25	35	22,0
FV40	40	6.700	40 50 63 80 100	18	10	15	20	32	40	48	18,5	22,0	3	26	35	22,0
FV63	63	10.500	63 80 100 125	22	12	18	26	40	50	60	23,0	27,5	4	30	40	25,0
FV90	90	15.000	63 80 100 125	25	14	20	30	48	63	73	26,5	31,0	5	35	45	27,5
FV112	112	18.700	63 80 100 125 160	30	16	22	32	55	72	87	31,5	36,0	6	40	50	30,0
FV140	140	23.400	100 125 160 200	35	18	26	36	60	80	95	34,0	40,0	6	45	60	37,5
FV180	180	30.000	100 125 160 200	45	20	30	42	70	100	120	43,0	50,0	8	50	70	45,0
FV250	250	41.700	125 160 200 250	55	26	36	50	80	125	145	49,0	57,0	8	60	80	50,0
FV315	315	52.500	160 200 250 315	65	30	42	60	90	140	170	58,5	66,5	10	70	90	55,0
FV400	400	66.700	160 200 250 315	70	32	44	60	100	150	185	65,5	75,5	12	70	90	55,0
FV500	500	83.400	160 200 250 315	80	36	50	70	110	160	195	70,5	80,5	12	80	100	60,0
FV630	630	105.000	200 250 315 400	90	42	56	80	120	170	210	76,5	86,5	12	100	120	70,0

Other dimensions and designs on request.

FB CONVEYOR CHAINS DIN 8167 (ISO 1977), M SERIES

Type	Break- ing load	Allowed load	Pitch	Inner width	Pin	Bush	Type B roller	Type C roller	Type D roller		Plates					
	F _B min	F _{DYN} min	P	b ₁	d ₁	d ₂	d ₃	d ₄ /d ₅	d ₆	e	b ₂	b ₃	s/s ₁	h ₁	h ₂	h ₃
	(kN)	(N)	(mm)	(mm)	(mm)	(mm)	(mm)	(mm)	(mm)	(mm)	(mm)	(mm)	(mm)	(mm)	(mm)	(mm)
M40	40	5.700	63 80 100 125	20	8,5	12,5	18	36	42	13,5	21	24	4	25	35	22,5
M56	56	8.000	63 80 100 125	24	10	15	21	42	50	17,0	24	27	4	30	45	30,0
M80	80	11.400	80 100 125 160	28	12	18	25	50	60	20,0	29	33	5	35	50	32,5
M112	112	16.000	80 100 125 160	32	15	21	30	60	70	22,0	33	38	6	40	60	40,0
M160	160	22.800	100 125 160 200	37	18	25	36	70	85	25,5	38	43	7	50	70	45,0
M224	224	32.000	100 125 160 200	43	21	30	42	85	100	30,0	44	49	8	60	90	60,0
M315	315	45.000	160 200 250 315	48	25	36	50	100	120	33,0	51	58	10	70	100	65,0
M450	450	64.000	200 250 315 400	56	30	42	60	120	140	37,0	60	66	12	80	120	80,0
M630	630	90.000	250 315 400 500	66	36	50	70	140	170	45,0	69	78	14	100	-	-
(M900)	900	128.000	250 315 400 500	78	44	60	85	170	210	52,0	79	89	15	120	-	-
M900	900	128.000	250 315 400 500	78	44	60	85	170	210	52,0	79	89	16	120	-	-

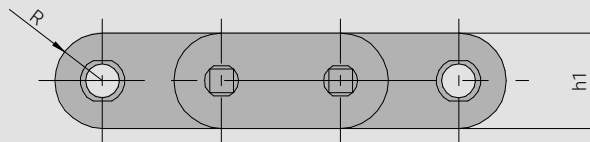
Other dimensions and designs on request.



FB CONVEYOR CHAINS SMS 1698

Type	Breaking load	Allowed load	Pitch	Inner width	Pin	Bush	Type C roller	Plates						Outer plates	
	F _B min	F _{DYN} min	P	b ₁	d ₁	d ₂	d ₄	2 x b ₂	b ₃	h ₁	h ₂	h ₃	s ₁	s normal	s heavy
	(kN)	(N)	(mm)	(mm)	(mm)	(mm)	(mm)	(mm)	(mm)	(mm)	(mm)	(mm)	(mm)	(mm)	(mm)
3,5	35	5.800	50 63 80 100	18	10	15	32	49	22,0	25	35	22,5	4	4	6
5,5	55	9.160	50 63 80 100	22	12	18	40	54	27,5	30	40	25,0	5	4	6
8,5	85	14.100	63 80 100 150	25	14	20	50	65	31,0	35	50	32,5	6	5	8
12,5	125	20.800	100 150 200	35	18	26	60	81	36,0	40	60	40,0	8	6	8
18	180	30.000	100 150 200 250	45	20	30	70	96	40,0	50	78	45,0	8	6	10
24	240	40.000	100 150 200 250	55	26	36	80	116	50,0	60	80	50,0	10	8	12
30	300	50.000	150 200 250	65	30	42	90	128	57,0	70	90	55,0	10	8	12
40	400	66.600	150 200 250	80	36	50	110	148	66,5	80	110	70,0	10	12	12
65	650	108.300	150 200 250	80	36	50	110	158	75,5	90	120	75,0	12	15	15

Other dimensions and designs on request.



FB SPECIAL CONVEYOR CHAINS

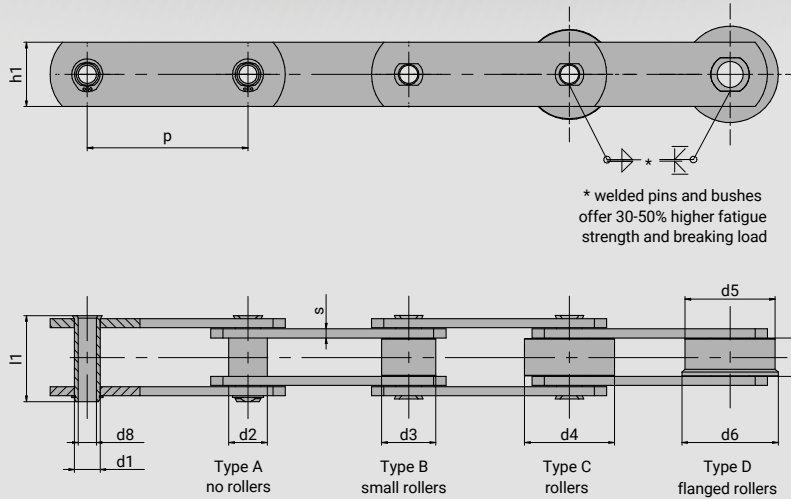
Type	Breaking load	Allowed load	Pitch	Inner width	Pin	Bush	Type B roller	Plates				
	F _B min	F _{DYN} min	p	b ₁	d ₁	d ₂	d ₃	b ₂	b ₃	s/s ₁	h ₁	R
	(kN)	(N)	(mm)	(mm)	(mm)	(mm)	(mm)	(mm)	(mm)	(mm)	(mm)	(mm)
(FV90)	125	15.000	50	25,0	14,00	20,0	-	26,0	30,5	5	40	20
(FV90B)	170	15.000	50 100	25,4	14,63	18,7	25,4	26,7	31,2	5	40	20
(FV112)	112	18.700	60	22,0	16,00	22,0	-	26,8	31,7	6	35	25
(FV140)	140	24.000	125	35,0	18,00	26,0	-	38,0	43,0	8	50	30
(M40)	40	5.700	60	22,0	8,50	12,5	-	26,1	29,0	6	25	20

Other dimensions and designs on request.

FB SPECIAL CONVEYOR CHAINS WITH HOLLOW PINS

Type	Breaking load	Allowed load	Pitch	Inner width	Pin		Bush	Plates			
	F _B min	F _{DYN} min	p	b ₁	d ₈	d ₁	d ₂	l ₁	s	h ₁	R
	(kN)	(N)	(mm)	(mm)	(mm)	(mm)	(mm)	(mm)	(mm)	(mm)	(mm)
(FVC63)	>53	10.500	40	22	8,2	12	18	47,1	5	35	-
(FVC90)	90	15.000	50	25	10,1	14	20	50,2	5	40	20





FB HOLLOWPIN CONVEYOR CHAINS DIN 8165, FV SERIES

Type	Breaking load		Allowed load	Pitch p	Inner width b ₁	Pin		Bush d ₂	Type B roller d ₃	Type C roller d ₄	Roller Type D		Plates		
	F _B min	Plates hardened and tempered F _B min	F _{DYN} min			d ₈	d ₁				d ₅	d ₆	l ₁	s	h ₁
	(kN)	(kN)	(N)			(mm)	(mm)				(mm)	(mm)	(mm)	(mm)	(mm)
FVC63	46	75	10.500	63 80 100 125 160	22	8,2	12	18	26	40	50	60	46	4	30
FVC90	73	90	15.000	63 80 100 125 160 200 250	25	10,2	14	20	30	48	63	78	53	5	35
FVC112	90	132	18.700	100 125 160 200 250	30	11,2	16	22	32	55	72	87	63	6	40
FVC140	110	170	23.400	100 125 160 200 250	35	12,2	18	26	36	60	80	95	68	6	45
FVC180	145	190	30.000	125 160 200 250 315	45	14,2	20	30	42	70	100	120	68	8	50
FVC250	215	300	41.700	160 200 250 315	55	18,2	26	36	50	80	125	145	98	8	60

FB HOLLOWPIN CONVEYOR CHAINS DIN 8168, M SERIES

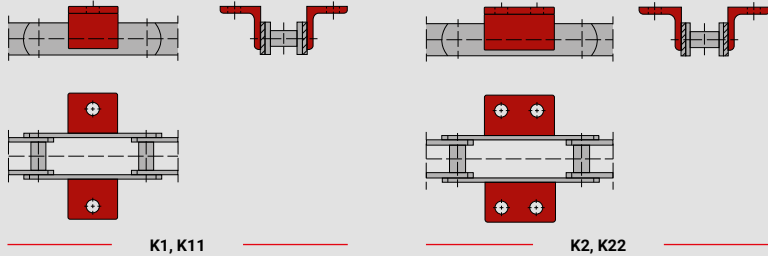
Type	Break- ing load	Allowed load	Pitch p	Inner width b ₁	Pin		Bush d ₂	Type B roller d ₃	Type C roller d ₄	Roller Type D		Plates		
	F _B min	F _{DYN} min			d ₈	d ₁				d ₅	d ₆	l ₁	s	h ₁
	(kN)	(N)			(mm)	(mm)				(mm)	(mm)	(mm)	(mm)	(mm)
(MC28)	28	4.000	63 80 100 125 160	20	8,5	12,5	18,0	25	36	36	45	42	4,0	25
MC28	28	4.000	63 80 100 125 160	20	8,2	13,0	17,5	25	36	36	45	40	3,5	25
(MC56)	56	8.000	80 100 125 160 200 250	22	10,1	15,0	21,0	30	50	50	60	49	5,0	35
MC56	56	8.000	80 100 125 160 200 250	24	10,2	15,5	21,0	30	50	50	60	47	4,0	35
(MC112)	112	16.000	80 100 125 160 200 250	30	14,1	20,0	30,0	42	70	70	85	66	7,0	50
MC112	112	16.000	100 125 160 200 250 315	32	14,3	22,0	29,0	42	70	70	85	64	6,0	50
(MC224)	224	32.000	125 160 200 250 315	40	20,2	30,0	42,0	60	100	100	120	86	10,0	70
MC224	224	32.000	125 160 200 250 315	43	20,3	31,0	41,0	60	100	100	120	83	8,0	70

Other dimensions and designs on request.

CONVEYOR CHAINS WITH CUSTOMISED ATTACHMENTS

Conveyor chains

with angle attachments on one or both sides

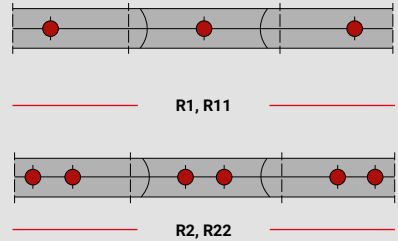


K1, K11

K2, K22

Conveyor chains with holes

for assembling buckets, scrapers, plastic parts or attachments

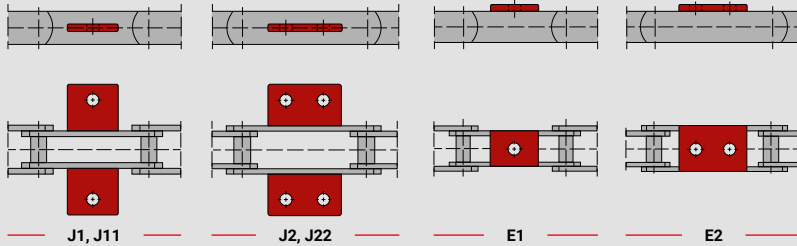


R1, R11

R2, R22

Conveyor chains

with flat bar
(flat steel attachments)



J1, J11

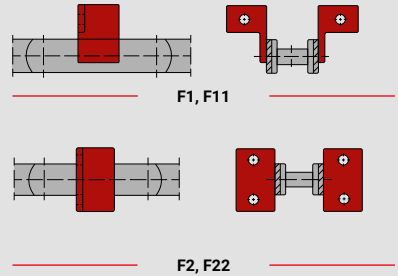
J2, J22

E1

E2

Conveyor chains

with welded or bended attachments on one or both sides

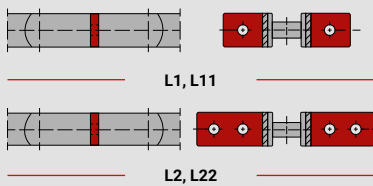


F1, F11

F2, F22

Conveyor chains

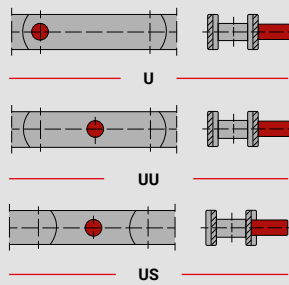
with scrapers welded on one or both sides, with or without holes, with or without plastic cleaners



L1, L11

L2, L22

Extended pins

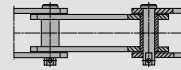


U

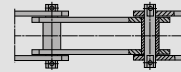
UU

US

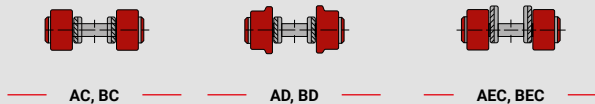
Head pin



Cotter pin



External rollers

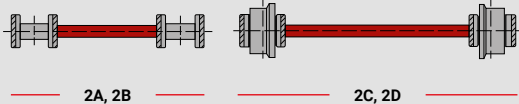


AC, BC

AD, BD

AEC, BEC

Apron conveyor chains, flat-top chains

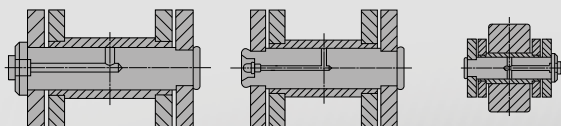


2A, 2B

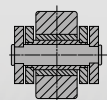
2C, 2D

LOW-MAINTENANCE CONVEYOR CHAINS

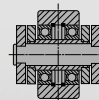
Lubrication nipple with lubrication holes and keyways



Wear bushes (bronze bushes)



Ball bearing, needle bearing

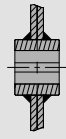
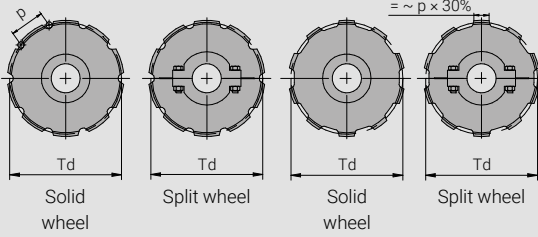
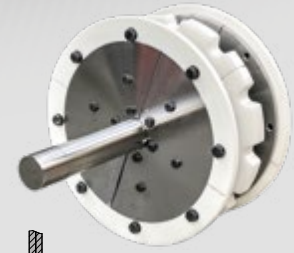


SPROCKETS, METRIC PITCH

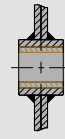
Standard tooth gap

Extended tooth gap – reversible design = double service life

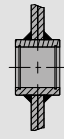
Bore types



Keyway



Self-lubricating bush



Bearing fit

Pitch circle diameter Td (mm)

Number of teeth	Pitch p (mm)											
	40	50	63	80	100	125	160	200	250	315	400	500
6	80,00	100,00	126,00	160,00	200,00	250,00	320,00	400,00	500,00	630,00	800,00	1000,00
7	92,19	115,24	145,20	184,38	230,48	288,10	368,76	460,96	576,20	726,01	921,92	1152,40
8	104,52	130,65	164,62	209,04	261,31	326,63	418,09	522,62	653,27	823,12	1045,24	1306,55
9	116,95	146,19	184,19	233,90	292,38	365,47	467,80	584,76	730,95	920,99	1169,52	1461,90
10	129,44	161,80	203,87	258,88	323,61	404,51	517,77	647,22	809,02	1019,37	1294,37	1618,05
11	141,98	177,47	223,61	283,96	354,95	443,68	567,92	709,90	887,37	1118,09	1419,80	-
12	154,54	193,18	243,41	309,09	386,37	482,96	618,19	772,74	965,92	1217,06	1545,48	-
13	167,14	208,93	263,25	334,28	417,86	522,32	668,57	835,72	1044,65	1316,25	1671,44	-
14	179,76	224,70	283,12	359,52	449,40	561,75	719,04	898,80	1123,50	1415,61	-	-
15	192,38	240,48	303,01	384,77	480,97	601,21	769,55	961,94	1202,42	1515,05	-	-
16	205,03	256,29	322,92	410,06	512,58	640,72	820,12	1025,16	1281,45	1614,62	-	-
17	217,68	272,11	342,85	435,37	544,22	680,27	870,75	1088,44	1360,55	1714,29	-	-
18	230,35	287,94	362,80	460,70	575,88	719,85	921,40	1151,76	1439,70	-	-	-
19	243,02	303,77	382,75	486,04	607,55	759,43	972,08	1215,10	1518,87	-	-	-
20	255,70	319,62	402,72	511,40	639,25	799,06	1022,80	1278,50	1598,12	-	-	-
21	268,38	335,47	422,69	536,76	670,95	838,68	1073,52	1341,90	1677,37	-	-	-
22	281,06	351,33	442,68	562,13	702,67	878,33	1124,27	1405,34	-	-	-	-
23	293,75	367,19	462,66	587,51	734,39	917,98	1175,02	1486,78	-	-	-	-
24	306,45	383,06	482,66	612,90	766,13	957,66	1225,80	1532,26	-	-	-	-
25	319,14	398,93	502,65	638,29	797,87	997,33	1276,59	1595,74	-	-	-	-
26	331,84	414,81	522,66	663,69	829,62	1037,02	1327,39	1659,24	-	-	-	-
27	344,55	430,69	542,66	689,10	861,38	1076,72	1378,20	1722,76	-	-	-	-
28	357,25	446,57	562,67	714,51	893,14	1116,42	1429,02	-	-	-	-	-
29	369,96	462,45	582,69	739,92	924,92	1156,13	1479,85	-	-	-	-	-
30	382,67	478,34	602,70	765,34	956,68	1195,85	1530,68	-	-	-	-	-



Split and hardened conveyor chain sprocket



Hardened conveyor chain sprocket



Solid tooth-rim

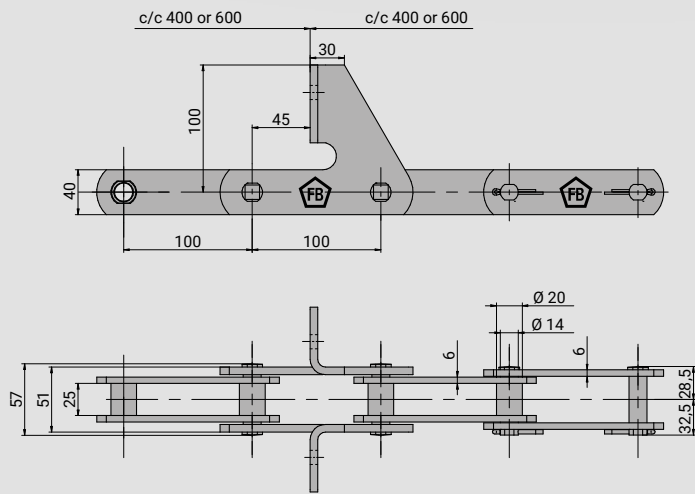


Split & hardened tooth-rim

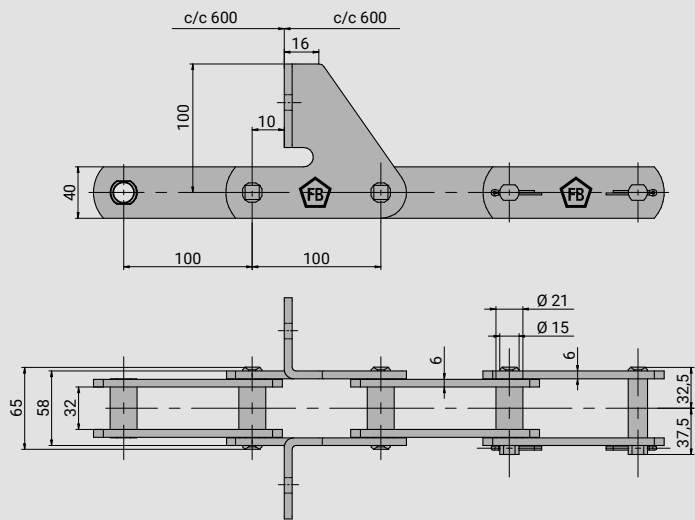
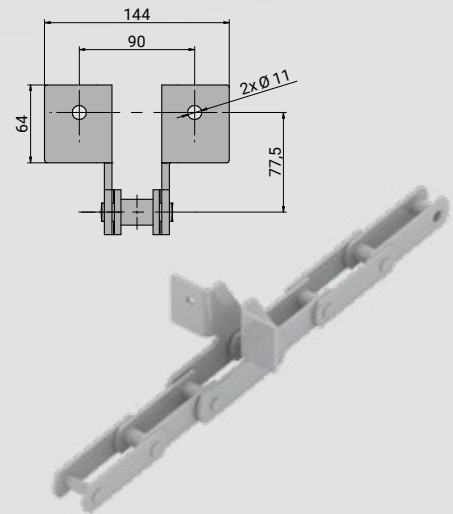
FB SCRAPER CHAINS

Chain type	Pitch	Inner width	Pin	Bushes / rollers	Plates	Figure no.	Breaking load
	p	b _i	∅ d _i	∅ d ₂ / d ₄	h _i x s		(kN)
	(mm)	(mm)	(mm)	(mm)	(mm)		
(FV90)A100T/F11x400 or x600	100	25	14	20	40x6	1	140
M112A100T/F11x600	100	32	15	21	40x6	1	140
M112A100T/F2x400 or x600	100	32	15	21	40x6	2	140
FV140A125T/T4x500 or x1000	125	35	18	26	45x6	4	160
FV140A125T/F22x250 or x500	125	35	18	26	45x6	5	160
(M160)A160TERW/(F2)x640	160	37	18	25	50x7	3	185
FV180A125T/T4x500 or x1000	125	45	20	30	50x8	4	205
(FV180)C160V/(F4)x640	160	45	20	30 / 70	50x8	6	200
(FV250C)160V/(F4)x640	160	45	26	36 / 70	60x10	6	400

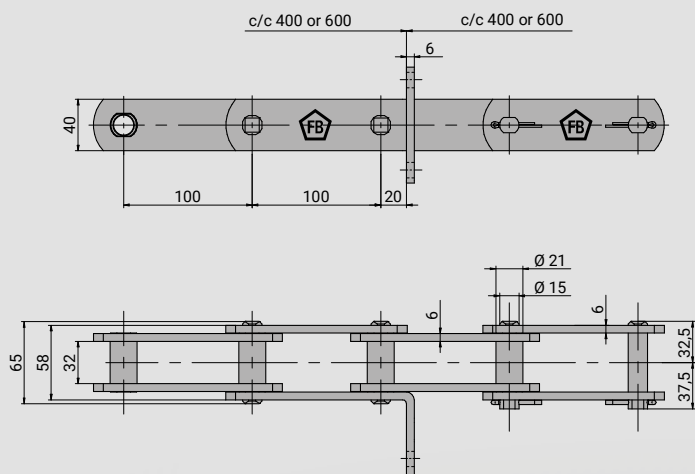
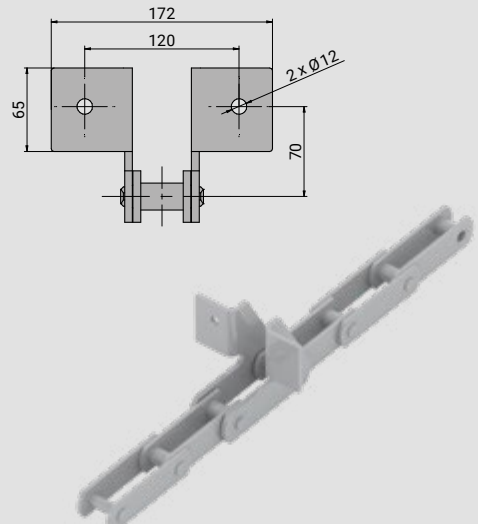




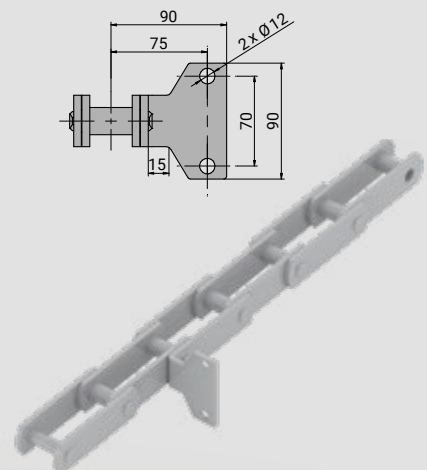
(FV90)A100T/F11x400/600

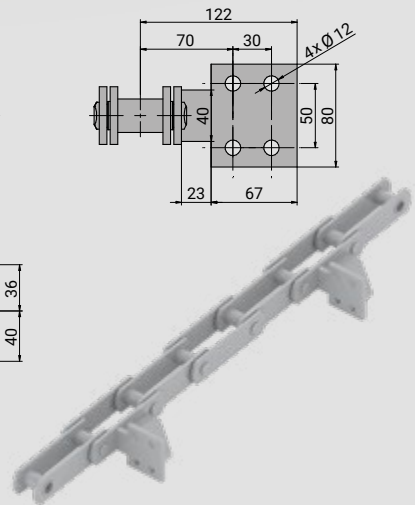
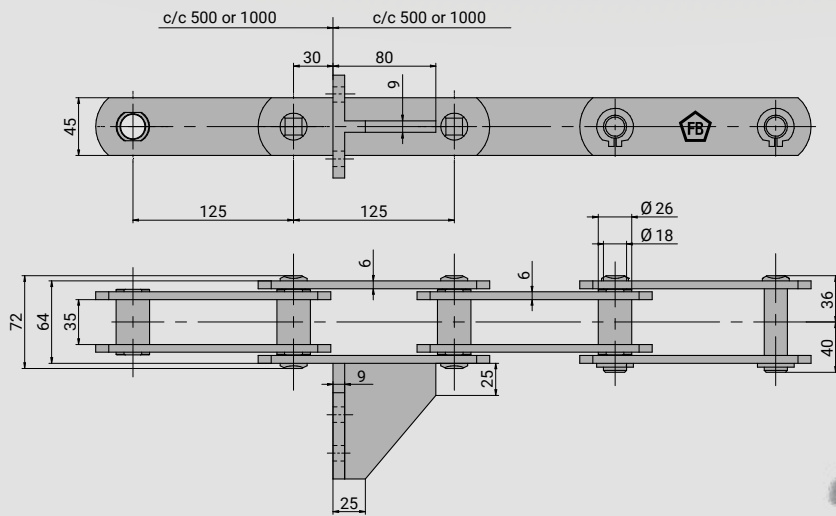


M112A100T/F11x600

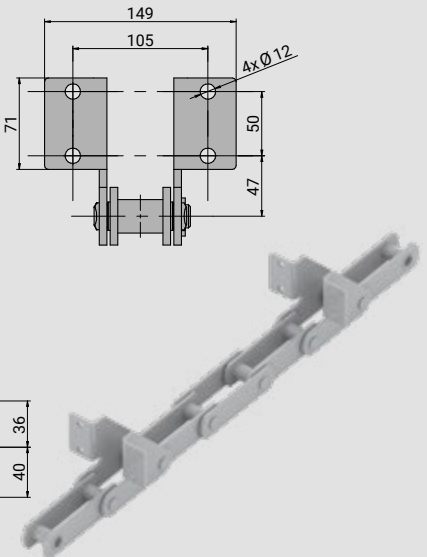
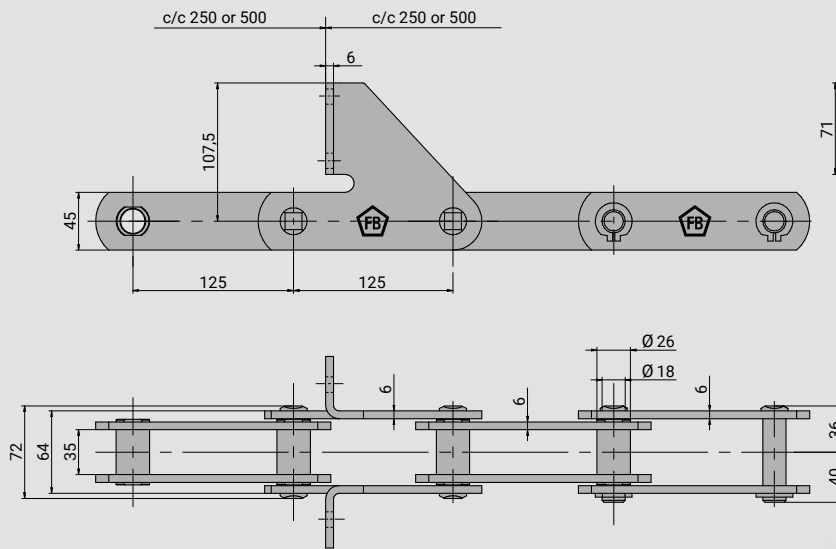


M112A100T/F2x400/600

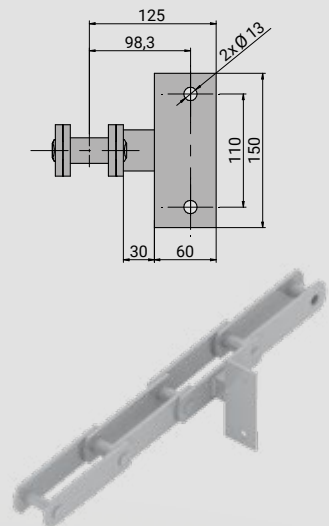
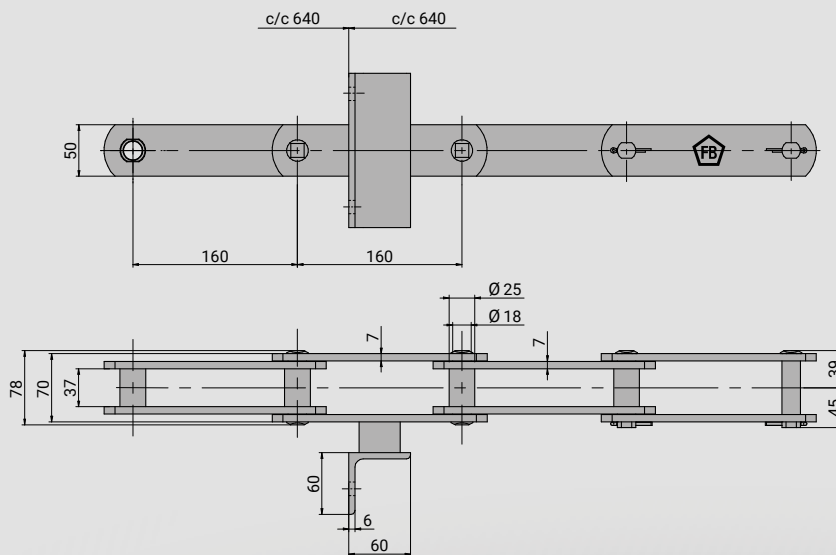




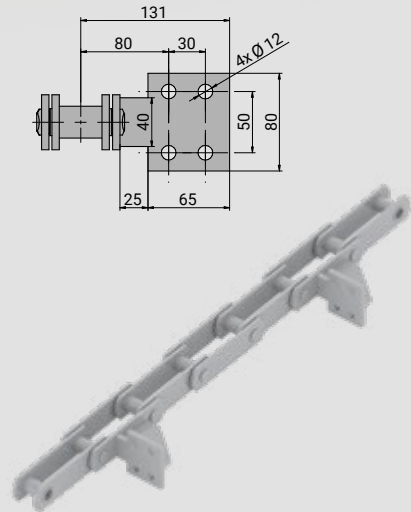
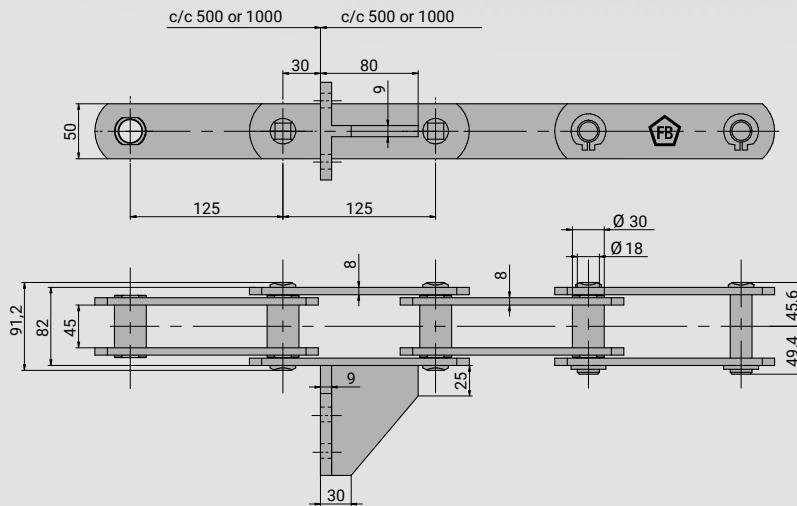
FV140A125T/T4x500/1000



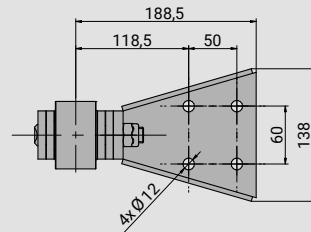
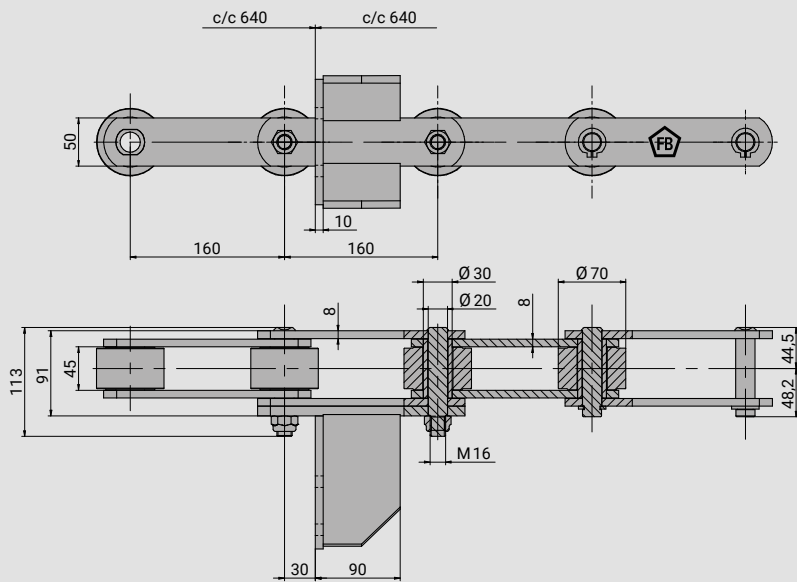
FV140A125T/F22x250/500



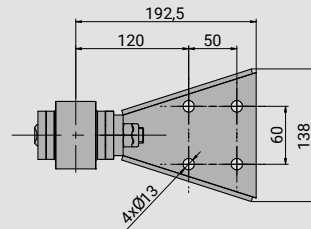
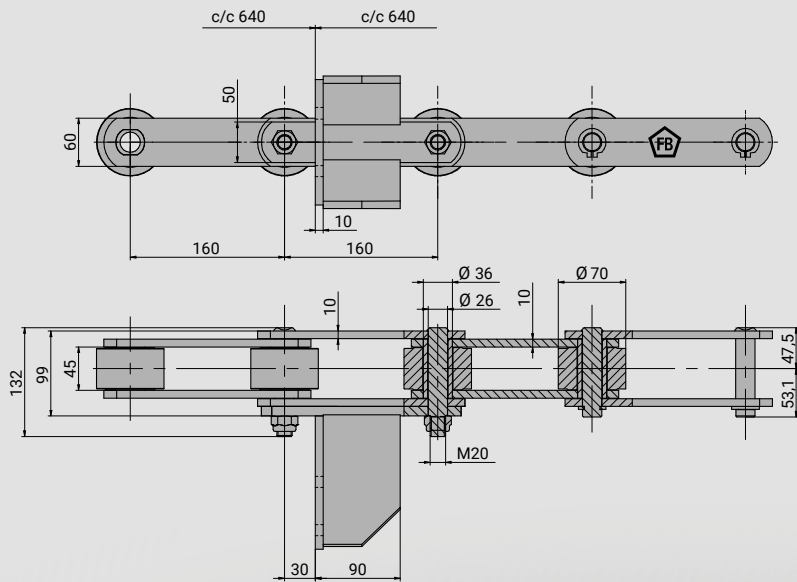
(M160)A160TERW/(F2)x640



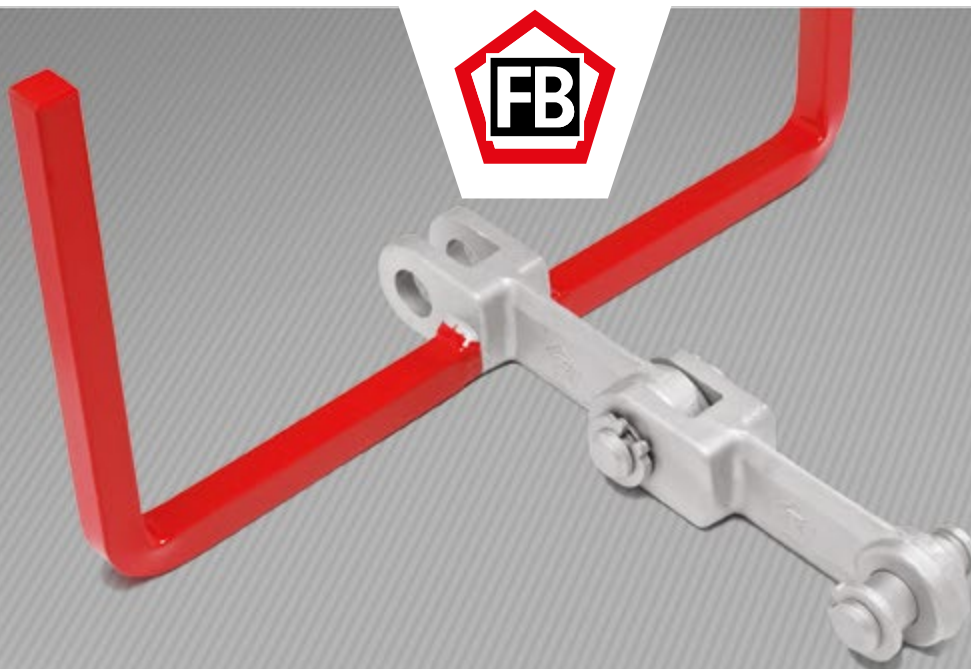
FV180A125T/T4x500/1000



(FV180)C160V/(F4)x640



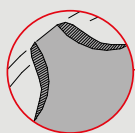
(FV250C)160V/(F4)x640



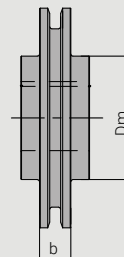
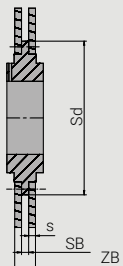
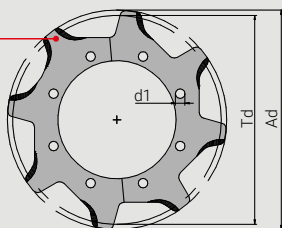
FB DROP FORGED LINK CHAINS

SPROCKETS WITH OPTIMISED TOOTH DESIGN

PULLEYS



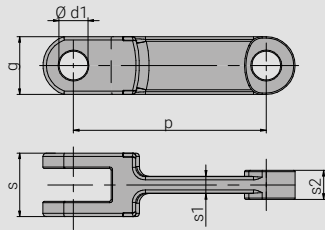
symmetric and reversible tooth shape = double service life



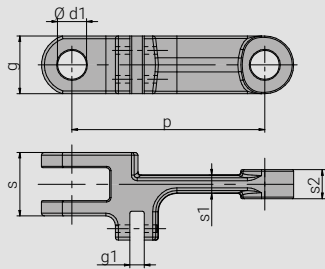
Number of teeth z	Outer Ø	Pitch circle Ø	R100104			R100105			Thread Ø	Hole Ø	Screws	Weight (kg/piece)
			Tooth width	Slot width	Wheel thickness	Tooth width	Slot width	Wheel thickness				
			ZB	SB	s	ZB	SB	s				
6	304	284,00	46	16	15	64	24	20	192	17	6 x M16	22
7	344	327,31	46	16	15	64	24	20	233	17	7 x M16	33
8	390	371,06	46	16	15	64	24	20	280	17	8 x M16	47
9	434	415,18	46	16	15	64	24	20	330	17	9 x M16	68
10	474	459,52	46	16	15	64	24	20	368	17	10 x M16	82
11	534	504,02	46	16	15	64	24	20	420	17	11 x M16	101
12	564	548,64	46	16	15	64	24	20	466	17	12 x M16	130
13	615	593,37	46	16	15	64	24	20	512	17	13 x M16	176
14	660	638,15	46	16	15	64	24	20	558	17	14 x M16	220
15	702	682,87	46	16	15	64	24	20	603	17	15 x M16	251
16	750	727,90	46	16	15	64	24	20	650	17	16 x M16	349

matching sprocket z =	Ø	R100104	R100105	Weight (kg/piece)
		Width	Width	
		b	b	
6	235	50	70	15
7	280	50	70	23
8	320	50	70	29
9	365	50	70	41
10	410	50	70	5
11	450	50	70	68
12	500	50	70	84
13	540	50	70	88
14	590	50	70	100
15	630	50	70	126
16	680	50	70	151

DROP FORGED LINK CHAINS



Type A



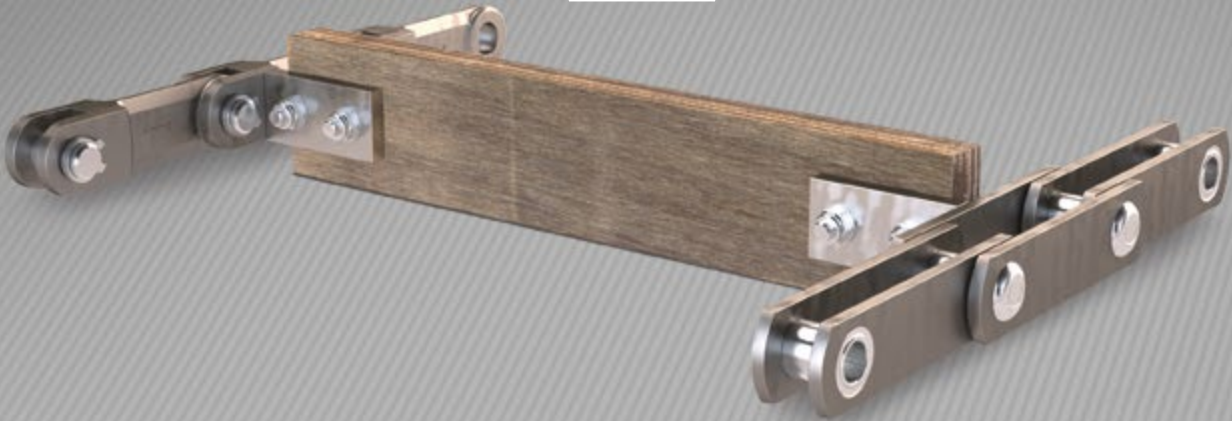
Type D

Alternative to type D

Chain type	Type	Pitch p	Link width s	Bar thick- ness		Link height g	Attach- ment slot g ₁	Hole Ø d ₁	Breaking load				Weight (kg/m)
				s ₁	s ₂				20MnCr5e*	18NiCrMo5e*	C40V**	42CrMo4V**	
				(mm)	(mm)				(kN)	(kN)	(kN)	(kN)	
R100101	A	101,6	24	6	8,0	36	-	14	90	95	100	130	3,85
R100102	A	101,6	30	8	12,0	36	-	14	120	130	150	200	5,25
R200101	A	102,0	25	6	8,0	36	-	14	75	85	90	120	3,95
R100103	A	142,0	24	6	8,0	47	-	20	110	120	145	200	4,50
R100104	A	142,0	42	11	19,0	50	-	25	270	280	350	440	10,40
R100105	A	142,0	62	15	28,0	50	-	25	370	400	500	600	14,90
R200102	A	142,0	56	18	25,0	50	-	25	310	350	400	480	12,50
R100106	A	150,0	24	6	8,0	50	-	20	110	120	145	200	5,00
R100107	A	150,0	42	12	15,5	47	-	25	230	250	300	340	10,00
R100108	A	160,0	50	12	23,0	50	-	25	300	320	400	520	10,50
R200103	A	160,0	42	12	20,0	45	-	20	260	275	320	380	11,00
R300175	D	175,0	72	22	30,0	60	11,0	30	500	550	600	710	15,00
R100109	A	200,0	66	17	32,0	60	-	28	530	580	650	750	16,30
R200105	A	200,0	54	15	25,5	50	-	25	310	350	400	480	12,80
R200106	D	200,0	52	18	25,0	50	13,0	25	300	340	330	460	11,50
R200107	D	200,0	58	17	25,0	50	11,5	25	310	350	450	550	13,00
R200108	D	200,0	70	20	30,0	60	13,0	30	500	550	600	750	19,40
R300216	A	216,0	64	20	26,0	73	-	35	480	500	630	700	20,00
R100110	A	250,0	70	20	31,0	75	-	34	600	650	750	1.000	24,00
R200110	A	250,0	66	18	33,0	60	-	28	530	580	650	750	14,00
R200111	D	250,0	70	20	30,0	60	13,0	30	500	550	600	700	16,00
R100111	A	260,0	70	21	31,0	75	-	34	600	650	750	1.000	21,65

* case-hardened ** hardened and tempered

■ Calculated theoretical breaking load □ Tested breaking load ■ Chain available, but new tool required



FB - rEVOLUTION SCRAPER CONVEYOR CHAINS

The latest generation of scraper conveyor chains is the **INEXPENSIVE** and durable alternative to drop forged link chains, round steel chains and block chains.

The innovative and field approved properties of modern FB conveyor chains with welded pins and bushes as well as hardened and tempered link plates make them perfect for use in the building materials, recycling, wood and paper industries, as well as in waste incineration and biomass power plants.

FB rEVOLUTION scraper chains are designed to fit to existing conveyor systems and sprockets. They do not require modifications to the existing casing and can be manufactured in almost any chain pitch.



ADVANTAGES



Longer service life

Reduced longitudinal wear due to larger bearing surface and hardened pins and bushes, no gap corrosion between plates, pins or bushes. Double service life due to reversible sprockets and tooth segments



Higher breaking load and fatigue strength

Welded pins, bushes and strong link plates increase breaking load and fatigue strength



Better welding options

Increased space to weld attachments and excellent welding properties = stronger attachment connection than with drop forged link chains



Increased operational safety

Very resistant against lateral loads and shock loads, strong attachment connection, no detachable components such as clips or cotter pins



Decreased operating costs

Lighter chains (up to 30 % less weight), reduced longitudinal wear and extended service life of sprockets reduce operating costs



Stainless alternative

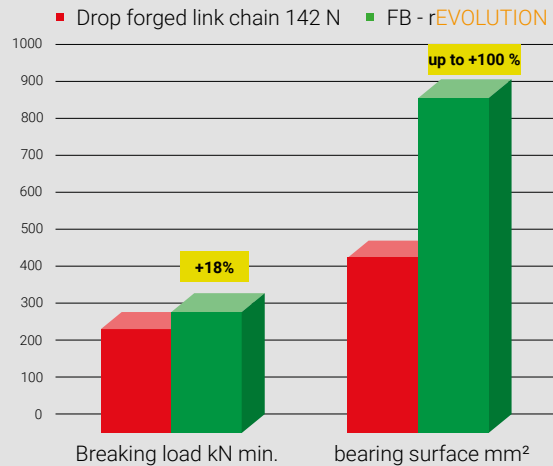
Also available with stainless hardened pins and bushes for use in corrosive environments



FB - rEVOLUTION SCRAPER CHAIN SOLUTIONS

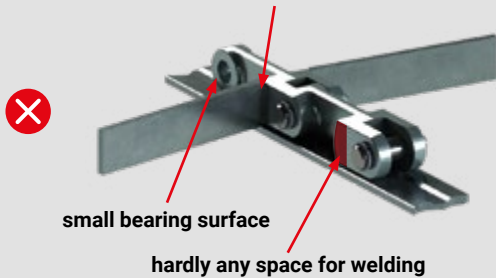
AT A GLANCE:

- reduce your operating costs
- increase your system run-time and operational safety
- extend the service life of your chains, sprockets and, in most cases, also chain rails
- offer the option for optimised attachment connections



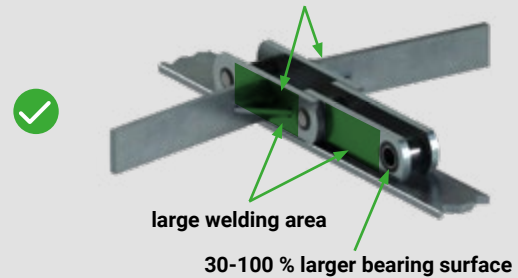
drop forged link chains:

Welding case-hardened chain links is difficult

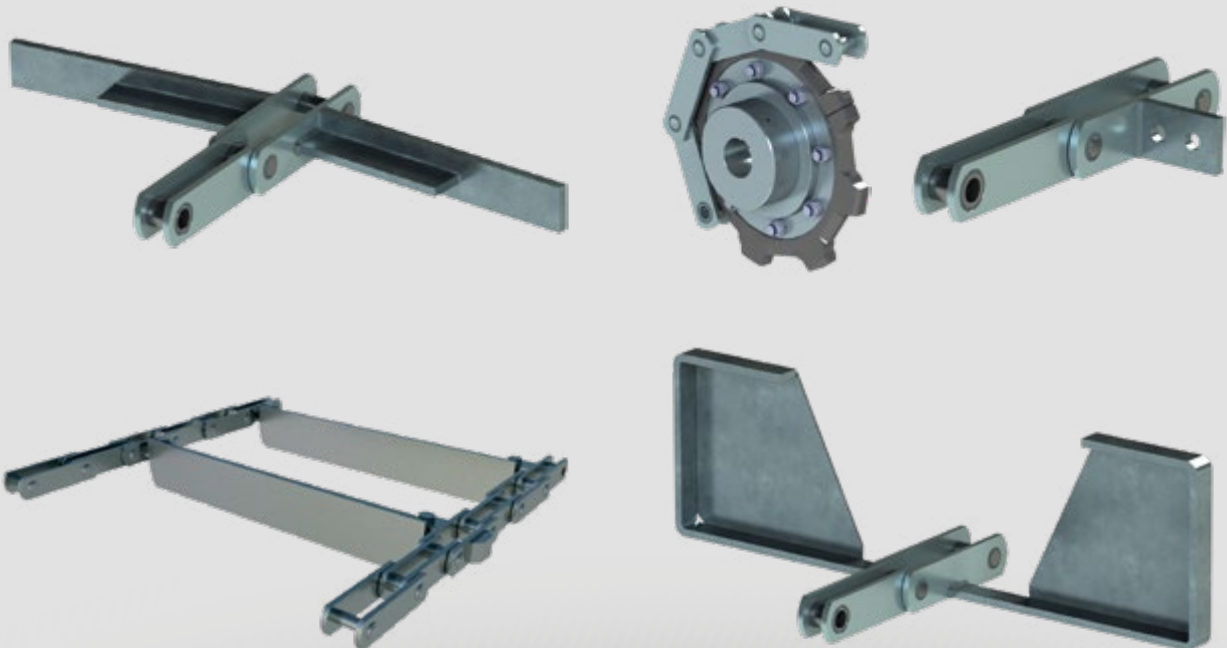


FB - rEVOLUTION scraper conveyor chains:

link plates very good for welding (max. 0.27 % C)



FB - rEVOLUTION SCRAPER CHAINS EXAMPLES





- INNOVATIVE & SUSTAINABLE SCRAPERS

Scrapers for trough chain conveyors are usually made of steel, plastic or a combination of the two. The advantages of plastic include its light weight and low friction coefficient. The use of steel, on the other hand, offers greater resistance and any type of reinforcement through welded constructions.

The disadvantage of both materials is that excessive loads through foreign objects such as stones, steel clips, wires, etc. may bend them which can result to a reduction in the chain centre distance in double-chain conveyors. This then makes the chains jump off the sprockets – a serious breakdown is unavoidable. The mechanical damage to the chains and sprockets is usually less than the consequential costs to the conveyor system and the downtime costs to the lifelines such as fuel supply, silo discharge, ash removal and chip scrapers. In biomass power plants, some of the furnaces have to be operated using gas. This contradicts the sustainable concept of a biomass heating plant and causes very high costs.

Scraper attachments made of **inno** are an inexpensive alternative – a problem solver for these or similar applications. They slide just as easily as plastic, are abrasion-resistant and serve as a predetermined breaking point in case of heavy overloads. This protects the remaining system components, avoid high consequential costs and ensures the continued operation of the trough conveyors.

ADVANTAGES



Weight saving

Energy savings due to low friction coefficient (approx. 0,2) – slide twice as easily as steel and are approx. 60-80 % lighter



High quality ensures high operational safety

The calculated predetermined breaking point guarantees high system run-time, operational safety and prevents high consequential costs



Environmentally friendly

Sustainable natural material, physiologically harmless and biologically degradable (in most power plants, waste attachments are even incinerated)



Cost savings

Scrapers pressed under high-pressure **inno** are robust and abrasion-resistant; they are usually used on several chain replacements and reduce operating costs



Longer service life

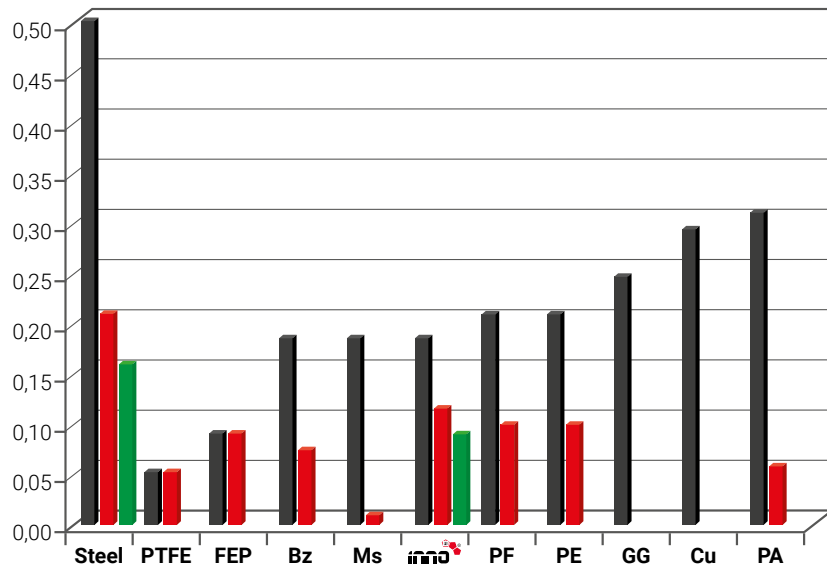
No bulging, washable, antistatic, resistant to oils and water



Ideal resistance at maximum operating temperatures

Processed ready for installation and multifunctional use from -200 °C to approx. +100 °C

approx. friction coefficient μ	Steel		
	dry	lubricated	lubricated Molykote
Steel	0,50	0,20	0,15
PTFE	0,04	0,04	
FEP	0,08	0,08	
Bz	0,18	0,07	
Ms	0,18		
innoro	0,18	0,11	0,08
PF	0,20	0,10	
PE	0,20	0,10	
GG	0,24		
Cu	0,29		
PA	0,30	0,06	



Technical details		innoro 100	innoro 500	innoro 1000
Bulk density g/cm³				
DIN 53479		approx. 750 kg/m ³	approx. 1.350 kg/m ³	approx. 1.350 kg/m ³
Flexural strength N/mm ²	layer	65 N/mm ²	165 N/mm ²	160 N/mm ²
DIN 53452	⊥ layer	75 N/mm ²	180 N/mm ²	190 N/mm ²
Impact resistance kJ/m ²	layer	-	25 kJ/m ²	20 kJ/m ²
DIN 53453	⊥ layer	-	50 kJ/m ²	40 kJ/m ²
Notched impact strength kJ/m ²	layer	-	20 kJ/m ²	14 kJ/m ²
DIN 53453	⊥ layer	-	50 kJ/m ²	-
Tensile strength N/mm ²	layer	65 N/mm ²	125 N/mm ²	120 N/mm ²
Compressive strength N/mm ²	layer	43 N/mm ²	135 N/mm ²	130 N/mm ²
DIN 53454	⊥ layer	35 N/mm ²	270 N/mm ²	240 N/mm ²
Ball indentation hardness N/mm ²	⊥ layer	-	140 N/mm ²	150 N/mm ²
Gap load N	⊥ layer	-	3.000 N	3.600 N
Shearing resistance N/mm ²	layer	-	10 N/mm ²	10 N/mm ²
	⊥ layer	-	60 N/mm ²	-
Modulus of elasticity N/mm²				
DIN 53457 flexure	⊥ layer	8.200 N/mm ²	17.000 N/mm ²	17.000 N/mm ²
DIN 53457 pressure	⊥ layer	7.400 N/mm ²	2.600 N/mm ²	-
	layer	5.600 N/mm ²	6.000 N/mm ²	14.000 N/mm ²
Coefficient of sliding friction μ_G				
against mill finish stainless steel sheet II	⊥ layer	-	0,2 - 0,3	0,18
Water absorption in percent after 24 h water storage (test specimen 50x50x30) DIN 53495				
		26%	3,50%	3,80%

|| layer = in the direction of the layers ⊥ Layer = perpendicular to the layers
 For special applications, we are also able to produce special designs with significantly optimised properties.
 Please contact us.



Missing predetermined
breaking point



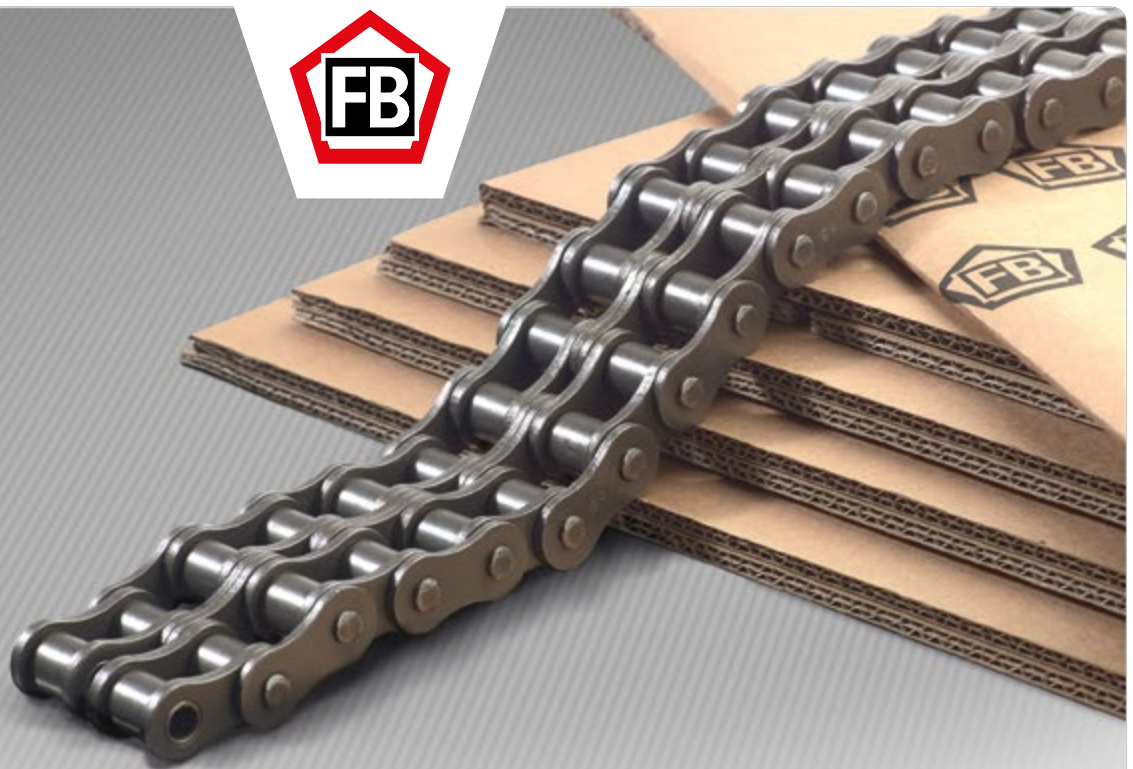
Missing predetermined
breaking point



innoro scraper attachment



Profile chain with **innoro**
scrachers



FB PRECISION ROLLER CHAINS

Precision roller chains with high efficiency ratio for optimum use in industrial applications.

Given correct chain design, optimum operating conditions and proper lubrication and maintenance, roller chains achieve an efficiency ratio of almost 99 %.

Roller chains consist of inner links with inner plates, bushes and rollers, as well as outer links with riveted pins. The rollers reduce friction losses and wear, reduce noise and, thanks to their design, allow the transmission of high forces and high chain speeds of up to 30 m/s.



High fatigue strength and durability

Precise components with tight manufacturing tolerances and precision punched plates with high waist

ADVANTAGES



High quality ensures operational safety

High-quality steels and tools, process-controlled component production and heat treatment, fully automated chain assembly and quality control during production guarantee the high quality of FB roller chains



Low wear of the roller chains

Cold-pressed SBR (Solid Bush Roller) design



Resource-saving and sustainable

Recyclable materials and resource-saving production minimise the impact on the environment



Chain cutting service – less time and effort

We cut the chains to length according to your specifications. For you, this means less waste, lower costs and less effort



Short delivery times due to pan-European logistics

Even for roller chains with add-on parts (e.g. extended, angle and guide plates, extended pins and various plastic components, brackets, rubber, etc.)

PRECISION MANUFACTURING

FB precision roller chains are produced with seamless cold-pressed bushes and rollers.

FB link plates are manufactured using progressive toolings that press, cut and calibrate in one step. This allows us to achieve the largest-possible contact surface between the plates and the link parts and thus the highest-possible fatigue strength.

The chain pins are calibrated, precisely cut to length and ground after heat treatment.

After heat treatment, the plates are shot-peened to remove sharp edges, eliminate minor surface damage and increase the residual stress of the components.

FB precision roller chains are assembled fully automatically, dynamically prestretched and lubricated immediately afterwards.

This means that the chain links rotate via sprockets and pulleys while being pre-stretched and lubricated. This ensures that the oil can penetrate well into all chain components. Dynamic pre-stretching and dynamic lubrication ensure reduced initial elongation and less link wear.



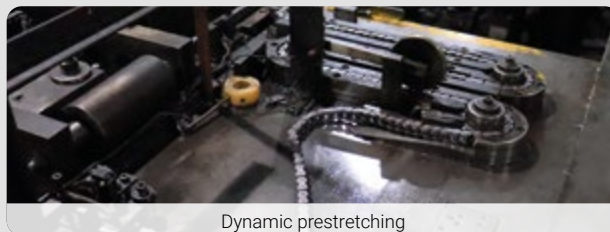
Progressive tool



Heat treatment



Calibration of the wire



Dynamic prestretching

Optimised plate shape increases fatigue strength

FB ISO roller chains are manufactured with high waist link plates to increase fatigue strength and operational reliability.



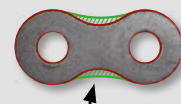
production batch
Inner plate 16B



Outer plate 12B



Inner plate 10B



High waist
Inner plate 08B

OPTICAL COMPONENT INSPECTION

All components and assembled chains are checked using automated photo technology.

Missing components, pins that are too short, defective riveting or other potential problems and defects are immediately marked and rejected at this point.

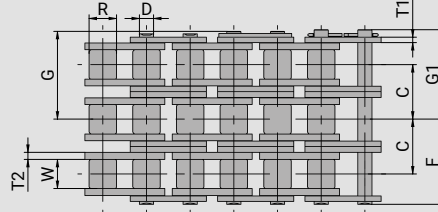
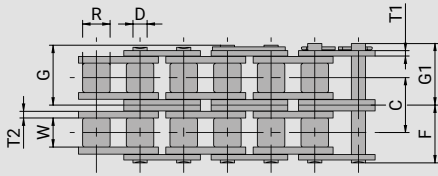
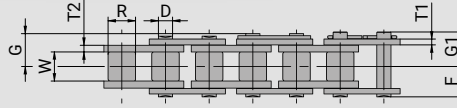
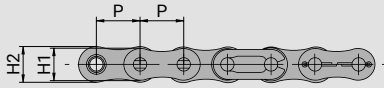
Our optical image recognition systems (CCD = Charge Coupled Device) are integrated into the assembly lines and, after years of continuous improvements, have replaced almost all manual or mechanical inspection methods.



Optical image recognition (CCD)



FB PRECISION ROLLER CHAINS B SERIES, ISO 606 - DIN 8187

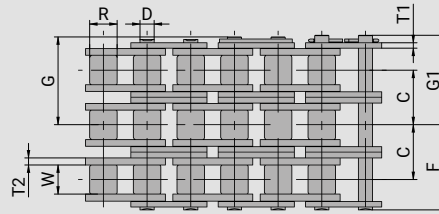
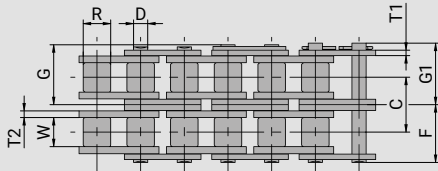
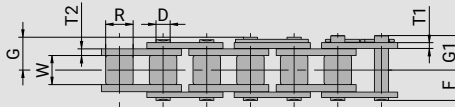
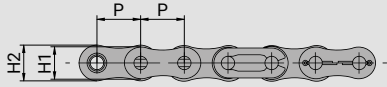


Chain type	Pitch		Connecting links	Inner width	Rollers	Plates				Pins				Centre distance	Breaking load		Weight			
	P					W min	Ø R max	H1 max	H2 max	T1 max	T2 max	Ø D max	F max		G max	G1 max		C	DIN	Ø FB
	(Inches)	(mm)																		
06B-1*	3/8"	9,525	CG	5,72	6,35	8,10	8,10	1,00	1,30	3,28	6,10	7,40	-	-	8.900	10.300	0,39			
06B-2*	3/8"	9,525	NG	5,72	6,35	8,10	8,10	1,00	1,30	3,28	11,20	12,30	-	10,24	16.900	18.600	0,74			
06B-3*	3/8"	9,525	KG	5,72	6,35	8,10	8,10	1,00	1,30	3,28	16,30	17,40	-	10,24	24.900	26.500	1,09			
08B-1	1/2"	12,700	CG	7,75	8,51	10,20	11,80	1,50	1,50	4,44	8,20	9,50	-	-	17.800	19.100	0,65			
08B-2	1/2"	12,700	NG	7,75	8,51	10,20	11,80	1,50	1,50	4,44	15,30	16,70	-	13,92	31.100	34.300	1,30			
08B-3	1/2"	12,700	KG	7,75	8,51	10,20	11,80	1,50	1,50	4,44	22,20	23,50	-	13,92	45.500	49.100	1,92			
10B-1	5/8"	15,875	SG	9,65	10,16	13,00	14,60	1,65	1,65	5,06	9,60	11,10	11,80	-	22.200	26.500	0,92			
10B-2	5/8"	15,875	CG	9,65	10,16	13,00	14,60	1,65	1,65	5,06	17,90	19,40	20,10	16,59	44.500	53.000	1,68			
10B-3	5/8"	15,875	NG	9,65	10,16	13,00	14,60	1,65	1,65	5,06	26,20	27,50	28,20	16,59	66.700	79.500	2,62			
12B-1	3/4"	19,050	SG	11,68	12,07	16,00	16,00	1,80	1,80	5,72	11,10	12,60	13,70	-	28.900	33.400	1,24			
12B-2	3/4"	19,050	CG	11,68	12,07	16,00	16,00	1,80	1,80	5,72	20,80	22,40	23,40	19,46	57.800	66.700	2,28			
12B-3	3/4"	19,050	NG	11,68	12,07	16,00	16,00	1,80	1,80	5,72	30,60	31,90	32,50	19,46	86.700	100.100	3,55			
16B-1	1"	25,400	SG	17,02	15,88	20,80	20,80	3,20	4,00	8,28	17,70	19,25	20,20	-	60.000	78.500	2,65			
16B-2	1"	25,400	CG	17,02	15,88	20,80	20,80	3,20	4,00	8,28	33,64	35,16	36,16	31,88	106.000	157.000	5,25			
16B-3	1"	25,400	NG	17,02	15,88	20,80	20,80	3,20	4,00	8,28	49,58	51,12	52,12	31,88	160.000	235.400	7,86			
20B-1	1 1/4"	31,750	SG	19,56	19,05	26,00	26,00	3,50	4,50	10,19	20,50	-	23,50	-	95.000	117.700	3,85			
20B-2	1 1/4"	31,750	NG	19,56	19,05	26,00	26,00	3,50	4,50	10,19	38,73	-	41,72	36,45	170.000	235.400	7,65			
20B-3	1 1/4"	31,750	KG	19,56	19,05	26,00	26,00	3,50	4,50	10,19	56,95	-	59,95	36,45	250.000	353.200	11,45			
24B-1	1 1/2"	38,100	SG	25,40	25,40	33,00	33,00	5,20	6,00	14,63	26,65	-	32,35	-	160.000	176.600	7,60			
24B-2	1 1/2"	38,100	NG	25,40	25,40	33,00	33,00	5,20	6,00	14,63	50,83	-	56,53	48,36	280.000	353.200	14,80			
24B-3	1 1/2"	38,100	KG	25,40	25,40	33,00	33,00	5,20	6,00	14,63	75,00	-	80,72	48,36	425.000	529.700	21,90			
28B-1	1 3/4"	44,450	SG	30,99	27,94	37,00	37,00	6,30	7,50	15,90	32,48	-	37,97	-	200.000	206.000	9,05			
28B-2	1 3/4"	44,450	NG	30,99	27,94	37,00	37,00	6,30	7,50	15,90	62,26	-	67,75	59,56	360.000	402.000	17,12			
28B-3	1 3/4"	44,450	KG	30,99	27,94	37,00	37,00	6,30	7,50	15,90	92,04	-	97,53	59,56	530.000	589.000	25,61			
32B-1	2"	50,800	SG	30,99	29,21	42,00	42,00	6,40	7,10	17,81	32,68	-	38,17	-	250.000	260.000	10,63			
32B-2	2"	50,800	NG	30,99	29,21	42,00	42,00	6,40	7,10	17,81	61,95	-	67,45	58,55	450.000	495.400	20,85			
32B-3	2"	50,800	KG	30,99	29,21	42,00	42,00	6,40	7,10	17,81	91,23	-	96,72	58,55	670.000	745.600	31,57			
40B-1	2 1/2"	63,500	SG	38,10	39,37	52,90	52,90	8,00	8,50	22,89	40,20	-	47,30	-	355.000	388.500	16,25			
40B-2	2 1/2"	63,500	NG	38,10	39,37	52,90	52,90	8,00	8,50	22,89	76,35	-	83,45	72,29	630.000	745.600	31,86			
40B-3	2 1/2"	63,500	KG	38,10	39,37	52,90	52,90	8,00	8,50	22,89	112,50	-	119,60	72,29	950.000	1.098.700	48,14			
48B-1	3"	76,200	SG	45,72	48,26	63,50	63,50	10,00	12,10	29,24	49,40	-	56,50	-	560.000	610.200	25,05			
48B-2	3"	76,200	NG	45,72	48,26	63,50	63,50	10,00	12,10	29,24	95,00	-	102,10	91,21	1.000.000	1.157.600	49,83			
48B-3	3"	76,200	KG	45,72	48,26	63,50	63,50	10,00	12,10	29,24	140,60	-	147,70	91,21	1.500.000	1.736.400	75,07			
56B-1	3 1/2"	88,900	SG	53,34	53,98	77,85	77,85	12,30	13,60	34,32	117,00	-	137,00	-	850.000	850.000	35,80			
56B-2	3 1/2"	88,900	NG	53,34	53,98	77,85	77,85	12,30	13,60	34,32	223,00	-	243,60	106,60	1.600.000	1.600.000	70,00			
56B-3	3 1/2"	88,900	KG	53,34	53,98	77,85	77,85	12,30	13,60	34,32	330,50	-	350,20	106,60	2.240.000	2.240.000	105,00			

* with straight plates. Other dimensions on request.



FB PRECISION ROLLER CHAINS A SERIES, ISO 606 - DIN 8188



Chain type	Pitch		Connecting links	Inner width	Rollers	Plates				Pins				Centre distance	Breaking load		Weight			
	P					W min	Ø R max	H1 max	H2 max	T1 max	T2 max	Ø D max	F max		G max	G1 max		C	DIN	Ø FB
	(inches)	(mm)																		
40-1	½"	12,700	SG	7,85	7,92	10,20	11,80	1,50	1,50	3,98	8,20	9,35	10,00	-	13.900	18.100	0,63			
40-2	½"	12,700	CG	7,85	7,92	10,20	11,80	1,50	1,50	3,98	15,30	17,00	17,60	14,40	27.800	36.300	1,19			
40-3	½"	12,700	NG	7,85	7,92	10,20	11,80	1,50	1,50	3,98	22,65	23,80	24,55	14,40	41.700	54.400	1,77			
40-3	½"	12,700	KG	7,85	7,92	10,20	11,80	1,50	1,50	3,98	22,65	23,80	24,55	14,40	41.700	54.400	1,77			
50-1	⅝"	15,875	SG	9,40	10,16	13,00	14,80	2,00	2,00	5,09	10,10	11,65	12,60	-	21.800	30.400	1,01			
50-2	⅝"	15,875	CG	9,40	10,16	13,00	14,80	2,00	2,00	5,09	19,20	20,70	21,10	18,10	46.300	60.800	2,04			
50-3	⅝"	15,875	NG	9,40	10,16	13,00	14,80	2,00	2,00	5,09	28,30	29,65	30,20	18,10	65.400	91.200	3,05			
50-3	⅝"	15,875	KG	9,40	10,16	13,00	14,80	2,00	2,00	5,09	28,30	29,65	30,20	18,10	65.400	91.200	3,05			
60-1	¾"	19,050	SG	12,57	11,91	15,50	17,50	2,40	2,40	5,96	12,50	14,15	15,40	-	31.100	43.100	1,44			
60-2	¾"	19,050	CG	12,57	11,91	15,50	17,50	2,40	2,40	5,96	24,00	25,50	26,90	22,80	62.600	86.300	3,03			
60-3	¾"	19,050	NG	12,57	11,91	15,50	17,50	2,40	2,40	5,96	35,35	36,95	37,65	22,80	93.900	129.500	4,50			
60-3	¾"	19,050	KG	12,57	11,91	15,50	17,50	2,40	2,40	5,96	35,35	36,95	37,65	22,80	93.900	129.500	4,50			
80-1	1"	25,400	SG	15,75	15,88	20,40	23,90	3,20	3,20	7,94	16,10	17,75	18,80	-	55.600	76.500	2,40			
80-2	1"	25,400	CG	15,75	15,88	20,40	23,90	3,20	3,20	7,94	30,60	32,20	33,60	29,30	111.200	153.000	5,26			
80-3	1"	25,400	NG	15,75	15,88	20,40	23,90	3,20	3,20	7,94	45,30	47,00	48,00	29,30	166.800	229.600	7,80			
80-3	1"	25,400	KG	15,75	15,88	20,40	23,90	3,20	3,20	7,94	45,30	47,00	48,00	29,30	166.800	229.600	7,80			
100-1	1¼"	31,750	SG	18,90	19,05	24,80	30,10	4,00	4,00	9,54	20,10	-	23,10	-	87.000	115.800	3,74			
100-2	1¼"	31,750	NG	18,90	19,05	24,80	30,10	4,00	4,00	9,54	38,00	-	41,00	35,80	174.000	231.500	7,51			
100-3	1¼"	31,750	KG	18,90	19,05	24,80	30,10	4,00	4,00	9,54	55,90	-	58,90	35,80	261.000	347.300	11,20			
120-1	1½"	38,100	SG	25,22	22,23	30,00	35,00	4,80	4,80	11,11	25,20	-	28,60	-	125.000	152.100	6,18			
120-2	1½"	38,100	NG	25,22	22,23	30,00	35,00	4,80	4,80	11,11	47,90	-	51,30	45,40	250.000	304.100	12,25			
120-3	1½"	38,100	KG	25,22	22,23	30,00	35,00	4,80	4,80	11,11	70,60	-	74,00	45,40	375.000	456.200	18,30			
140-1	1¾"	44,450	SG	25,22	25,40	36,20	42,00	5,60	5,60	12,71	27,30	-	31,50	-	170.000	210.900	7,49			
140-2	1¾"	44,450	NG	25,22	25,40	36,20	42,00	5,60	5,60	12,71	51,75	-	55,75	48,90	340.000	421.800	14,83			
140-3	1¾"	44,450	KG	25,22	25,40	36,20	42,00	5,60	5,60	12,71	76,20	-	80,40	48,90	510.000	632.700	22,20			
160-1	2"	50,800	SG	31,55	28,58	41,40	48,00	6,40	6,40	14,29	32,55	-	37,25	-	223.000	269.800	10,10			
160-2	2"	50,800	NG	31,55	28,58	41,40	48,00	6,40	6,40	14,29	61,80	-	66,50	58,50	446.000	539.600	20,04			
160-3	2"	50,800	KG	31,55	28,58	41,40	48,00	6,40	6,40	14,29	91,05	-	95,75	58,50	669.000	809.300	30,02			
200-1	2½"	63,500	SG	37,85	39,68	51,80	60,10	8,00	8,00	19,85	39,75	-	47,10	-	347.000	451.300	16,50			
200-2	2½"	63,500	NG	37,85	39,68	51,80	60,10	8,00	8,00	19,85	75,55	-	82,85	71,60	694.000	902.500	32,70			
200-3	2½"	63,500	KG	37,85	39,68	51,80	60,10	8,00	8,00	19,85	111,35	-	118,65	71,60	1.041.000	1.353.800	49,05			
240-1	3"	76,200	SG	47,35	47,63	62,40	72,20	9,50	9,50	23,81	47,70	-	54,80	-	500.000	672.000	24,20			
240-2	3"	76,200	NG	47,35	47,63	62,40	72,20	9,50	9,50	23,81	91,60	-	98,70	87,80	1.000.000	1.344.000	47,80			
240-3	3"	76,200	KG	47,35	47,63	62,40	72,20	9,50	9,50	23,81	135,50	-	142,60	87,80	1.500.000	2.016.000	71,10			

Other dimensions on request.



CG
Spring clip connecting link



SG
Cotter connecting link



NG
Riveting link, outer link



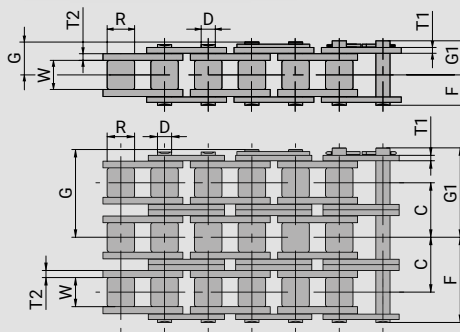
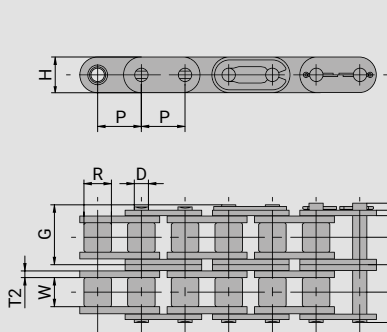
KG
Offset link



IG
Inner link



FB PRECISION ROLLER CHAINS STRAIGHT PLATES, ISO 606 - DIN 8187



Chain type	Pitch		Connecting links	Inner width	Rollers	Plates			Pins				Centre distance	Breaking load		Weight			
	P					W min	Ø R max	H max	T1 max	T2 max	Ø D max	F max		G max	G1 max		C	DIN	Ø FB
	(inches)	(mm)																	
06B-1GL	3/8"	9,525	CG	5,72	6,35	8,10	1,00	1,30	3,28	6,10	7,40	-	-	8.900	10.300	0,39			
06B-2GL	3/8"	9,525	NG	5,72	6,35	8,10	1,00	1,30	3,28	11,20	12,30	-	10,24	16.900	18.600	0,74			
06B-3GL	3/8"	9,525	KG	5,72	6,35	8,10	1,00	1,30	3,28	16,30	17,40	-	10,24	24.900	26.500	1,09			
08B-1GL	1/2"	12,700	CG	7,75	8,51	11,80	1,50	1,50	4,45	8,35	9,85	-	-	17.800	32.300	0,80			
08B-2GL	1/2"	12,700	NG	7,75	8,51	11,80	1,50	1,50	4,45	15,43	16,78	-	13,92	31.100	41.300	1,45			
08B-3GL	1/2"	12,700	KG	7,75	8,51	11,80	1,50	1,50	4,45	22,45	23,65	-	13,92	45.500	52.700	2,10			
10B-1GL	5/8"	15,875	SG	9,65	10,16	14,70	1,70	1,70	5,08	9,75	11,15	12,15	-	22.200	38.200	1,06			
10B-2GL	5/8"	15,875	CG	9,65	10,16	14,70	1,70	1,70	5,08	18,05	19,45	20,45	16,59	44.500	54.800	2,00			
10B-3GL	5/8"	15,875	KG	9,65	10,16	14,70	1,70	1,70	5,08	26,35	27,75	28,75	16,59	66.700	70.800	2,87			
12B-1GL	3/4"	19,050	SG	11,68	12,07	16,10	1,85	1,85	5,72	11,25	12,95	13,85	-	28.900	31.300	1,32			
12B-2GL	3/4"	19,050	CG	11,68	12,07	16,10	1,85	1,85	5,72	21,00	22,60	23,60	19,46	57.800	65.700	2,62			
12B-3GL	3/4"	19,050	KG	11,68	12,07	16,10	1,85	1,85	5,72	30,75	32,4	33,45	19,46	86.700	102.500	3,89			
16B-1GL	1"	25,400	SG	17,02	15,88	21,00	3,20	4,00	8,28	17,70	19,25	20,20	-	60.000	73.200	2,70			
16B-1GL(24)	1"	25,400	CG	17,02	15,88	24,00	3,20	4,00	8,28	17,70	19,25	20,20	-	60.000	73.200	3,30			
16B-2GL	1"	25,400	NG	17,02	15,88	21,00	3,10	4,15	8,28	34,00	35,30	37,00	31,88	106.000	146.700	6,10			
16B-3GL	1"	25,400	KG	17,02	15,88	21,00	3,10	4,15	8,28	49,90	51,30	53,00	31,88	160.000	200.600	9,12			
20B-1GL	1 1/4"	31,750	SG	19,56	19,05	26,40	3,50	4,55	10,19	20,70	-	24,90	-	95.000	101.300	4,16			
24B-1GL	1 1/2"	38,100	NG	25,40	25,40	33,00	5,00	6,00	14,63	26,70	-	31,10	-	160.000	180.900	7,47			
32B-1GL	2"	50,800	KG	30,99	29,21	42,20	6,30	7,00	17,81	33,40	-	37,50	-	250.000	271.500	10,45			

Other dimensions on request.

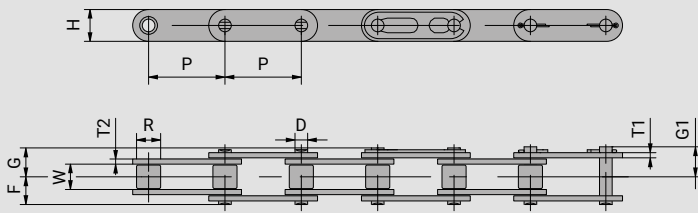
FB HEAVY DUTY ROLLER CHAINS, REINFORCED, SIMILAR TO ISO 606

Chain type	Pitch		Connecting links	Inner width	Rollers	Plates				Pins				Centre distance	Breaking load		Weight			
	P					W min	Ø R max	H1 max	H2 max	T1 max	T2 max	Ø D max	F max		G max	G1 max		C	DIN	Ø FB
	(inches)	(mm)																		
12B-1H	3/4"	19,050	SG, CG, NG, KG	11,68	12,07	16,00	16,00	2,35	2,35	6,10	12,28	13,73	14,38	-	29.000	45.000	1,60			
16B-1H	1"	25,400	SG, CG, NG, KG	17,02	15,88	24,10	24,10	3,50	4,50	8,90	18,50	21,05	22,00	-	78.000	96.000	3,00			
16B-2H	1"	25,400	SG, NG, KG	17,02	15,88	24,00	24,00	3,20	4,00	9,00	34,00	-	39,40	31,88	106.000	180.000	6,25			
24B-1H	1 1/2"	38,100	SG, NG, KG	25,40	25,40	36,20	36,20	6,00	7,50	14,63	29,30	-	34,10	-	225.000	239.000	7,80			
60-1HGL*	3/4"	19,050	SG, CG, NG, KG	12,57	11,91	18,00	18,00	3,25	3,25	5,94	14,65	16,35	17,05	-	31.300	40.000	1,60			

* with straight plates. Other dimensions on request.

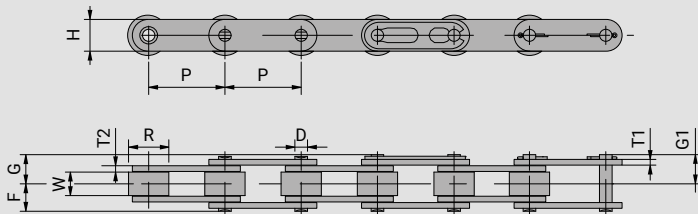


FB LONG PITCH ROLLER CHAINS STRAIGHT PLATES, ISO 1275 - DIN 8181



Chain type	Pitch		Connecting links	Inner width	Rollers	Plates			Pins			Breaking load		Weight			
	P					W min	Ø R max	H max	T1 max	T2 max	Ø D max	F max	G max		G1 max	DIN	Ø FB
	(inches)	(mm)															
C2040	1"	25,400	CG, NG, KG	7,85	7,92	12,00	1,50	1,50	3,98	8,20	9,35	10,10	13.900	18.100	0,49		
C2050	1¼"	31,750	SG, CG, NG, KG	9,40	10,16	15,00	2,00	2,00	5,09	10,10	11,65	12,60	21.800	30.400	0,84		
C2060H	1½"	38,100	CG, NG, KG	12,57	11,91	18,00	3,20	3,20	5,96	14,10	15,70	16,60	31.300	43.100	1,45		
C2080H	2"	50,800	SG, CG, NG, KG	15,75	15,88	24,10	4,00	4,00	7,94	17,90	19,40	20,80	55.600	76.500	2,41		
C2100H	2½"	63,500	SG, NG, KG	18,90	19,05	30,10	4,80	4,80	9,54	21,70	-	24,90	87.000	112.800	3,50		
C2120H	3"	76,200	SG, NG, KG	25,22	22,23	36,20	5,60	5,60	11,11	26,98	-	30,57	125.000	147.100	6,00		
C2160H	4"	101,600	SG, NG, KG	31,55	28,58	48,20	7,20	7,20	14,29	34,15	-	38,85	222.400	294.200	8,90		

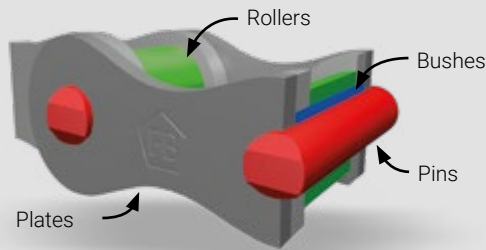
Other dimensions on request.



Chain type	Pitch		Connecting links	Inner width	Rollers	Plates			Pins			Breaking load		Weight			
	P					W min	Ø R max	H max	T1 max	T2 max	Ø D max	F max	G max		G1 max	DIN	Ø FB
	(inches)	(mm)															
C2042	1"	25,400	SG, CG, NG, KG	7,85	15,88	12,00	1,50	1,50	3,98	8,20	9,35	10,10	13.900	18.100	0,86		
C2052	1¼"	31,750	SG, CG, NG, KG	9,40	19,05	15,00	2,00	2,00	5,09	10,10	11,65	12,60	21.800	30.400	1,32		
C2062H	1½"	38,100	SG, CG, NG, KG	12,57	22,23	18,00	3,20	3,20	5,96	14,10	15,70	16,60	31.300	43.100	2,17		
C2082H	2"	50,800	SG, CG, NG, KG	15,75	28,58	24,10	4,00	4,00	7,94	17,90	19,40	20,80	55.600	76.500	3,45		
C2102H	2½"	63,500	SG, NG, KG	18,90	39,67	30,10	4,80	4,80	9,54	21,70	-	24,90	87.000	112.800	4,68		
C2122H	3"	76,200	SG, NG, KG	25,22	44,45	36,20	5,60	5,60	11,11	26,98	-	30,57	125.000	147.100	8,00		
C2162H	4"	101,600	SG, NG, KG	31,55	57,15	48,20	7,20	7,20	14,29	34,15	-	38,85	222.400	294.200	13,52		

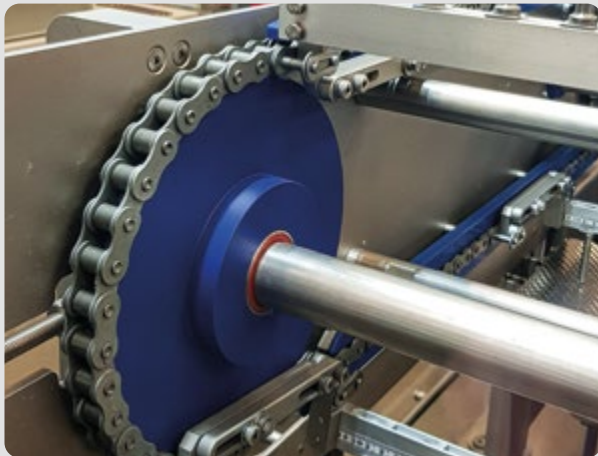
Other dimensions on request.

MATERIALS, HEAT TREATMENTS AND MANUFACTURING PROCESSES



	Pins	Bushes	Rollers	Plates
Materials:	alloy steels	carbon steels (C steels)	carbon steels (C steels)	carbon steels (C steels)
Heat treatment:	hardened or hardened and tempered*	case-hardened	hardened or hardened and tempered*	hardened and tempered
Manufacturing:	deburred, centreless ground or mirror polished, 2/4 point riveted*.	seamless cold-pressed, deburred, centreless ground	seamless cold-pressed, deburred, centreless ground	precision punched plate holes, double or triple punched*, tumbled and shot-peened

*depending on the chain dimension and the application





FB PRECISION ROLLER CHAINS WITH ATTACHMENTS

Many applications require roller chains with add-on parts to perform different functions (carrying, pushing, pulling or rolling the conveyed material). **We manufacture bespoke attachment-chains with ISO dimensions, according to drawings, samples or our own on-site-measurements. We offer INEXPENSIVE solutions for a wide range of transmission and conveying tasks.**

Angle plates, attachment plates, plain plates or guide plates as well as extended pins are the most frequently used add-on parts for roller chains. Steel, plastic or roller attachments are usually mounted on the extended pins. In order to reduce costs, we use pins from duplex or triplex roller chains wherever possible.

We offer suitable and flexible chain solutions for almost any application.



High fatigue strength and durability

Precise components with close manufacturing tolerances and precision-punched plates with a high press fit and optimum heat treatment guarantee fatigue strength and breaking loads exceeding ISO specifications

ADVANTAGES



High quality ensures operational safety

High-quality steels and tools, process-controlled component production and heat treatment, fully automated chain assembly and quality control during production guarantee the high quality of FB roller chains



Low chain elongation of the roller chains

Ground pins and bushes with very high surface quality, pre-stretching to $\geq 30\%$ of the breaking load and cold-pressed SBR* bushes and rollers reduce chain elongation



Resource-saving and sustainable

Recyclable materials and resource-saving production ensure a minimisation of the environmental impact



Chain cutting service – less time and effort

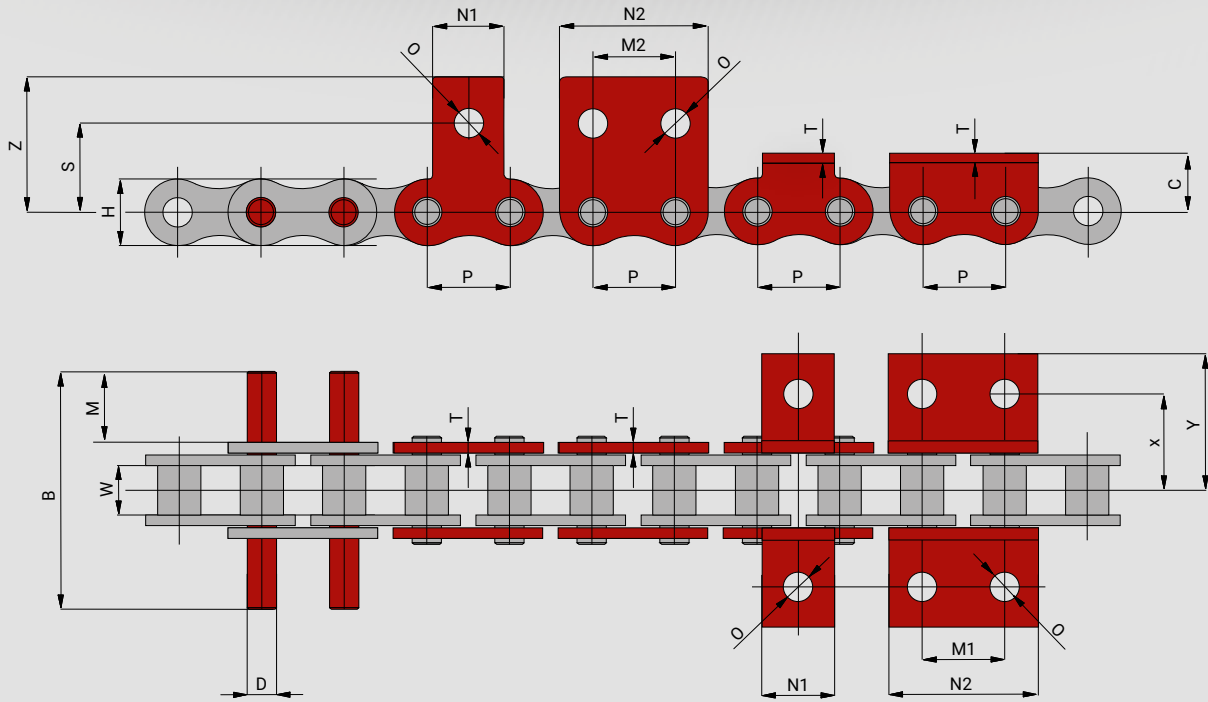
We cut the chains to length according to your specifications. For you, this means less waste, lower costs and less effort



Short delivery times due to pan-European logistics

Even for stainless steel roller chains with add-on parts (e.g. angle, extended, or guide plates, extended pins and various plastic components, brackets, rubber, etc.)

* (SBR = Solid Bush Roller)



Part number	Pitch		Inside diameter	Plates		Plane plates - angle plates									
	P			H	T	M1	M2	N1	N2	O	C	X	Y	S	Z
	(inches)	(mm)	(mm)	(mm)	(mm)	(mm)	(mm)	(mm)	(mm)	(mm)	(mm)	(mm)	(mm)	(mm)	(mm)
06B-1	3/8"	9,525	5,72	8,10	1,30	-	-	8,00	-	3,00	6,70	9,70	14,70	10,00	14,50
08B-1	1/2"	12,700	7,75	11,80	1,50	12,70	12,70	11,00	22,90	4,30	8,90	13,80	20,85	13,70	20,80
10B-1	5/8"	15,875	9,65	14,60	1,65	15,88	15,88	14,00	28,95	5,30	10,30	15,90	24,80	16,50	24,90
12B-1	3/4"	19,050	11,68	16,00	1,80	19,05	19,05	18,00	36,00	6,60	12,20	17,60	26,35	18,50	28,20
16B-1	1"	25,400	17,02	20,80	3,20	25,40	25,40	24,00	45,70	8,40	17,00	29,00	41,90	27,40	39,70
16B-1 PA 1610	1"	25,400	17,02	20,80	3,10	-	25,40	-	45,70	8,40	-	-	-	27,20	40,00
16B-1 WA 1614	1"	25,400	17,02	20,80	3,10	25,40	-	-	-	8,40	17,00	28,9	43,10	-	-
20B-1	1 1/4"	31,750	19,56	26,00	3,50	-	-	45,00	-	10,50	21,50	32,80	46,80	33,00	47,00
24B-1	1 1/2"	38,100	25,40	33,00	6,00	-	-	54,00	-	12,50	25,00	39,20	55,20	36,50	52,50

Also available WITHOUT holes. Plane plates and angle plates on one or both sides and are designed as outer link by default.
Other dimensions and/or designs on request.

Part number	Pitch		Inside diameter	Plates		Extended pins				
	P			H	T	M	B	D		
	(inches)	(mm)	(mm)	(mm)	(mm)	(mm)	(mm)	(mm)		
06B-1	3/8"	9,525	5,72	8,10	1,30	11,60	21,80	23,70	33,90	3,28
08B-1	1/2"	12,700	7,75	11,80	1,50	15,00	28,80	30,90	44,80	4,45
10B-1	5/8"	15,875	9,65	14,60	1,65	17,80	34,50	35,70	52,30	5,08
12B-1	3/4"	19,050	11,68	16,00	1,80	21,10	40,60	42,10	61,60	5,72
16B-1	1"	25,400	17,02	20,80	3,20	33,80	65,50	67,10	98,80	8,28
20B-1	1 1/4"	31,750	19,56	26,00	3,50	38,20	74,70	76,80	113,30	10,19
24B-1	1 1/2"	38,100	25,40	33,00	6,00	49,90	98,90	100,90	149,90	14,63

Extended pin also available with snap ring groove or holes.
Other dimensions and/or designs on request.



WE OFFER A WIDE VARIETY OF ADD-ON PARTS:

- Angle plates
- Extended plates or guide plates
- Sharp-top link plates
- Pins extended on one or both sides
- Plastic parts
- Brackets with vulcanised rubber
- Bolted-on attachments
- Custom products (laser, plasma, machining)
- Many products made to specification

Bespoke attachment-chains will be pre-assembled ready for installation. Design, attachment distance and mounting positions (one side, two sides) are adapted exactly to your requirements.

On demand with various **corrosion-resistant coatings** or as **stainless** designs available.

ANGLE PLATE DESIGNS



EXTENDED PLATE DESIGNS

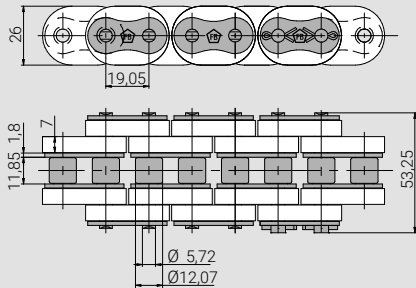


EXTENDED PINS

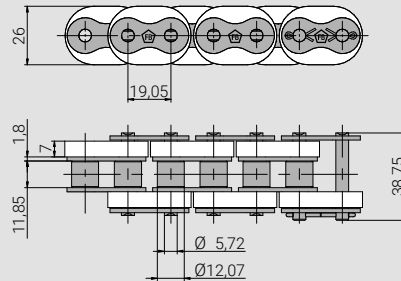




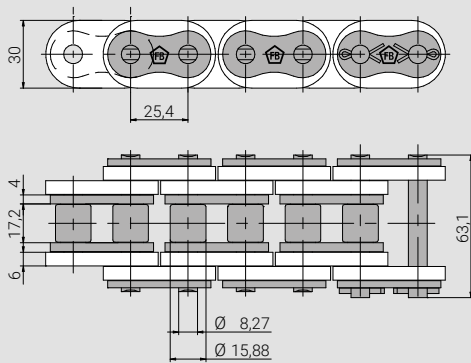
FB TRANSPORT - ROLLER CHAINS WITH PLASTIC AND RUBBER (PURE) COMPONENTS



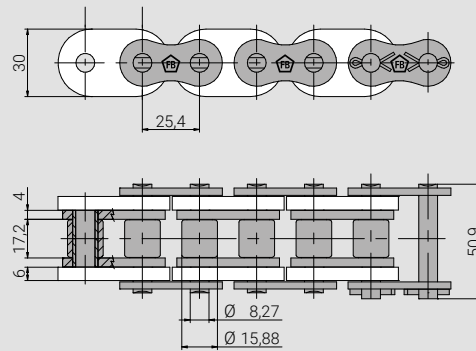
12B-1FB080822B2



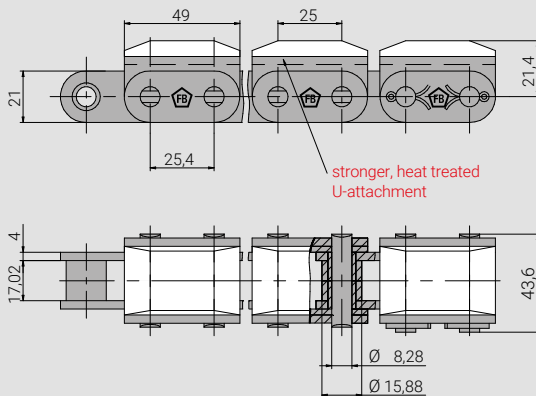
12B-1FB-100304B2



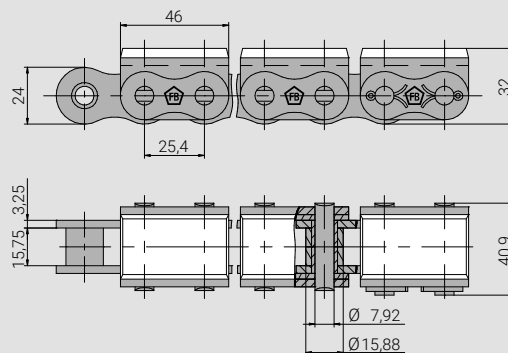
5118.000.09FB POM weiß
5118.000.09FBTPU92 PUR natur



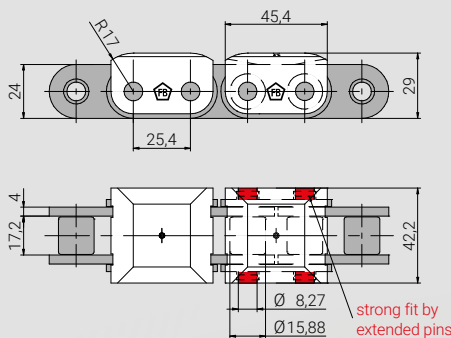
5118.000.12FB



16B-1FBWG70/U2,03



80-1FBWG70



5121.000.08FBR17



Roller chains with plastic clips





CORROSION-RESISTANT CHAINS WITH GEOMET® COATING

Stainless steel chains are very expensive and their fatigue strength, breaking load and wear resistance are much lower than those of ISO roller chains.

Chains with an abrasion-resistant coating and improved initial lubrication are an INEXPENSIVE alternative for applications in corrosive environments.

Breaking forces and fatigue strengths of FB GEOMET® chains exceed international standards for roller chains and leaf chains.
(ISO 606 - DIN 8187; DIN 8188 and/or ISO 4347 - DIN 8152)

The GEOMET® surface coating is sustainable, environmentally friendly and free of Chromium trioxide. It also complies with the environmental regulations of the European Parliament. (2000/53/EG and 2011/65/EU)

ADVANTAGES



Completely chromium-free, water-based coating

Free of heavy metals. We do not use nickel, cadmium, lead, barium or mercury in the coating process



High strength, resilience and durability

Fatigue strength, wear resistance and breaking strength exceed ISO specifications. The chains have good chemical and mechanical resistance



Ideal resistance at maximum operating temperatures

CRF GEOMET® chains master extreme temperatures from -30 ° to +250 °C over a longer period of time



Can be recoated without problems and is non-electrolytic

As in most applications, the thin coating provides electrical conductivity. The silver coating colour can be recoated without problems



No fear of hydrogen embrittlement

GEOMET® coatings do not cause hydrogen embrittlement



Reduced friction coefficient

The friction coefficient is between 0,06 - 0,18 (ISO 16047), which is 25-30 % lower than that of similar ISO chains



CORROSION PROTECTION



Uncoated chain gets heavily corroded due to exposure to various environmental influences (e.g. rain, road salt, salty air in harbours)



Chains with abrasion-resistant coating are an INEXPENSIVE alternative for use in corrosive environments

CRF GEOMET® CHAINS with special surface coating look like new even after the salt spray test (ASTM B117).

The excellent result after 600 hours in the salt spray test speaks for itself. The chains have not suffered any visible corrosion and look almost the same after the long-term test.

Stress test:

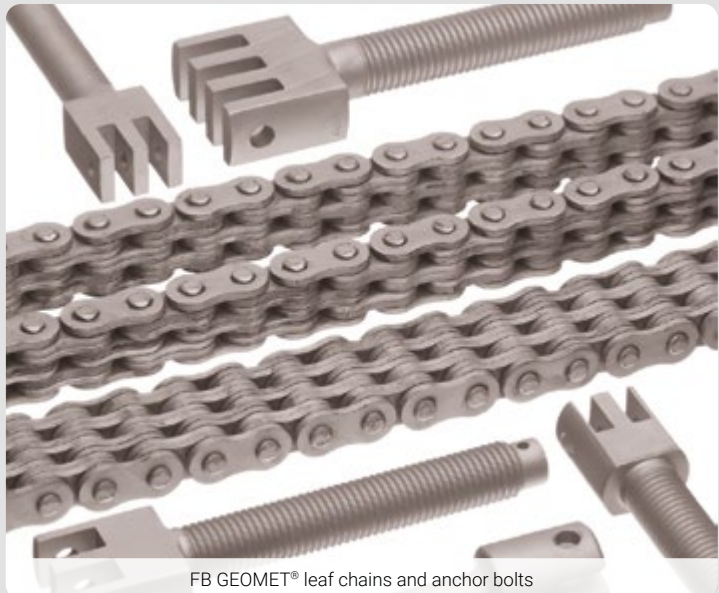
600 hours
in salt spray test (ASTM B117)

Before the test:

After the test:



The salt spray test is a standardised test for the evaluation of the corrosion protection of metallic coatings or chemical or physical surface treatments. The test specimens are positioned in a test chamber in which a sprayed salt solution affects the chains under standardised conditions.



FB GEOMET® leaf chains and anchor bolts



FB GEOMET® leaf chains in a salt storage factory

Avoid contact with other stainless steel components (e.g. sprockets, screws, etc.), since this could lead to contact corrosion. We do not recommend using GEOMET® chains in direct contact with food, as powdery or metallic abrasion may occur during use.



STAINLESS STEEL ROLLER CHAINS

Stainless steel roller chains made of 1.4301 (AISI 304) with high resistance to chemical influences.

With correct chain design, optimum operating conditions and proper and correct lubrication and maintenance, roller chains achieve an efficiency of almost 99%.

Roller chains consist of inner links with inner plates, inner plates, pressed-in chain bushes and mounted rollers and outer links with pressed-in and riveted and riveted chain pins. The rollers reduce friction losses, wear and operating noise. Roller chains made of stainless steel roller chains are usually used for chain speeds up to 1.5 m/s. FB Stainless steel roller chains are suitable for temperatures from -50°C to +600°C and have a high chemical resistance.



High fatigue strength and durability

Precise components with tight manufacturing tolerances and precision punched plates with high waist

ADVANTAGES



High quality ensures operational safety

High-quality steels and tools, process-controlled component production and heat treatment, fully automated chain assembly and quality control during production guarantee the high quality of FB stainless steel roller chains



Low wear of the roller chains

Cold-pressed SBR (Solid Bush Roller) design



Resource-saving and sustainable

Recyclable materials and resource-saving production minimise the impact on the environment



Chain cutting service – less time and effort

We cut the chains to length according to your specifications. For you, this means less waste, lower costs and less effort

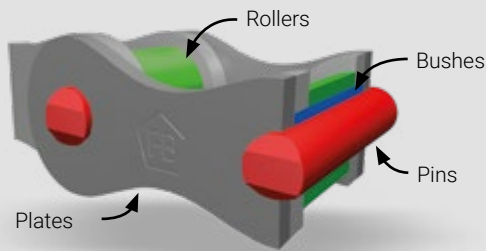


Short delivery times due to pan-European logistics

Even for stainless steel roller chains with add-on parts (e.g. extended, angle and guide plates, extended pins and various plastic components, brackets, rubber, etc.)



MATERIALS, HEAT TREATMENTS AND MANUFACTURING PROCESSES



	Pins	Bushes	Rollers	Plates
Materials:	1.4301 (AISI 304) for stainless steel FB ISO roller chains			
	Other materials on request, e.g. 1.4404 (AISI 316L), 1.4571 (AISI 316Ti) or more wear resistant and conditionally and conditionally hardenable stainless steels such as 1.4021 (AISI 420), 1.4542 (AISI 630, 17-4 PH), Nitronic and many more.			
Manufacturing:	deburred, centreless ground or mirror polished, 2-point riveted	seamless coldpressed, deburred, centreless ground	seamless coldpressed, deburred, centreless ground	precision punched plate holes, fine-punched, tumbled and shot-peened

Rust- and maintenance-free FB polysteel roller chains or rust-free FB GEOMET® roller chains (CRF) have proven to be a good value alternative to stainless steel roller chains or stainless FB GEOMET® roller chains (CRF) have proven to be a very good alternative to stainless steel roller chains. We also manufacture these roller chains with extended pins or customer-specific attachments such as extended plates or angled plates.



Stainless steel roller chains with chamfered plates ISO 606 (DIN 8187, DIN 8188) and FB-factory-standards – simplex, duplex, triplex



Stainless steel roller chains with straight plates ISO 606 (DIN 8187, DIN 8188) and FB-factory standards – simplex, duplex, triplex



CG
Spring clip connecting link



SG
Cotter connecting link



NG
Riveting link, outer link



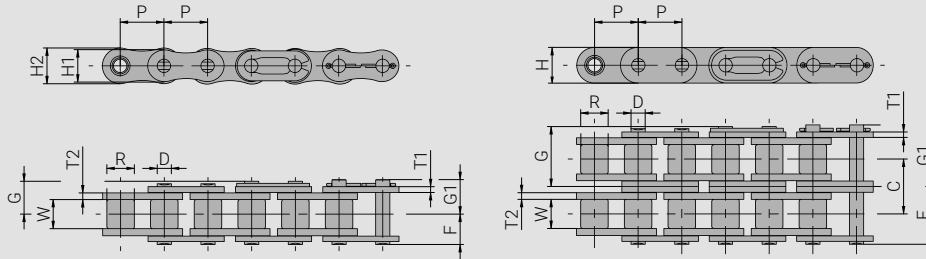
KG
Offset link



IG
Inner link



FB STAINLESS STEEL PRECISION ROLLER CHAINS B SERIES, ISO 606 - DIN 8187



Chain type	Pitch		Connecting links	Inner width	Rollers	Plates				Pins			Centre distance	Breaking load		Weight				
	P					W min	Ø R max	H1 max	H2 max	T1 max	T2 max	Ø D max		F max	G max		G1 max	C	DIN	Ø FB
	(inches)	(mm)																		
06B-1RF*	3/8"	9,525	CG NG KG	5,72	6,35	8,20	8,20	1,20	1,20	3,28	6,55	7,35	-	-	6.200	6.500	0,41			
06B-2RF*	3/8"	9,525	CG NG KG	5,72	6,35	8,20	8,20	1,20	1,20	3,28	11,80	12,50	-	10,24	11.000	12.200	0,78			
08B-1RF	1/2"	12,700	CG NG KG	7,75	8,51	10,20	11,80	1,60	1,60	4,45	8,35	9,45	-	-	12.000	13.400	0,70			
08B-2RF	1/2"	12,700	CG NG KG	7,75	8,51	10,20	11,80	1,60	1,60	4,45	15,30	16,90	-	13,92	20.800	24.700	1,35			
08B-2RFGL*	1/2"	12,700	CG NG KG	7,75	8,51	11,80	11,80	1,60	1,60	4,45	15,30	16,90	-	13,92	22.500	27.000	1,35			
10B-1RF	5/8"	15,875	SG CG NG KG	9,65	10,16	13,60	14,70	1,60	1,60	5,08	9,75	10,25	10,85	-	14.500	16.700	0,95			
10B-2RF	5/8"	15,875	SG CG NG KG	9,65	10,16	13,60	14,70	1,60	1,60	5,08	18,05	18,55	19,15	16,59	28.900	33.100	1,68			
12B-1RF	3/4"	19,050	SG CG NG KG	11,68	12,07	15,00	16,00	1,80	1,80	5,72	11,20	12,70	14,00	-	18.500	19.900	1,25			
12B-2RF	3/4"	19,050	SG CG NG KG	11,68	12,07	15,00	16,00	1,80	1,80	5,72	21,00	22,30	23,20	19,46	37.600	39.700	2,28			
16B-1RF	1"	25,400	SG CG NG KG	17,02	15,88	21,00	21,00	3,00	4,00	8,28	17,75	19,45	20,45	-	40.000	45.300	2,60			
16B-1RFGL*	1"	25,400	SG CG NG KG	17,02	15,88	21,00	21,00	3,00	4,00	8,28	17,75	19,45	20,45	-	40.600	49.000	2,60			

* with straight plates. Other dimensions on request.

FB STAINLESS STEEL PRECISION ROLLER CHAINS A SERIES, ISO 606 - DIN 8188

Chain type	Pitch		Connecting links	Inner width	Rollers	Plates				Pins			Centre distance	Breaking load		Weight				
	P					W min	Ø R max	H1 max	H2 max	T1 max	T2 max	Ø D max		F max	G max		G1 max	C	DIN	Ø FB
	(inches)	(mm)																		
40-1RF	1/2"	12,700	CG, NG, KG	7,85	7,92	10,20	11,80	1,50	1,50	3,98	8,20	9,35	10,00	-	9.600	12.500	0,63			
50-1RF	5/8"	15,875	SG, CG, NG, KG	9,40	10,16	13,00	15,10	2,00	2,00	5,09	10,10	11,65	12,60	-	15.200	18.200	1,03			
60-1RF	3/4"	19,050	SG, CG, NG, KG	12,57	11,91	15,60	18,00	2,40	2,40	5,94	12,90	14,50	15,20	-	21.700	26.600	1,51			
80-1RF	1"	25,400	SG, CG, NG, KG	15,75	15,88	20,40	23,90	3,30	3,30	7,94	16,10	17,75	18,80	-	38.900	43.800	2,62			
100-1RF	1 1/4"	31,750	SG, NG, KG	18,90	19,05	30,00	30,00	4,00	4,00	9,53	20,20	-	24,50	-	60.000	64.500	3,94			

Other dimensions on request.



FB HIGH PERFORMANCE ROLLER CHAINS MEGA II

Stainless steel roller chains have the disadvantage that the allowable chain tension and the breaking load are much lower than those of ISO roller chains, as 1.4301 (AISI 304) cannot be heat treated.

Due to the low loading capacity, the low breaking forces and the low maximum permissible pressure on bearing area of these stainless steel roller chains, a satisfactory life time is rarely achieved in practice. With the patented MEGA II roller chain, we increase the life time, the breaking load and the permissible load.



ADVANTAGES



Standard dimensions

Functional dimensions correspond to standard roller chains (ISO 606, DIN 8187, DIN 8188 and double pitch roller chains) and work without problems with standard sprockets (e.g. 1.4301, PE, PA, POM, ...)



Longer service life

Increase in fatigue strength, permissible load and life by up to 50% compared to standard stainless steel roller chains



Low wear of the roller chains

Lower wear due to larger bearing area (with the same chain tension)



Cost saving

MEGA II have to be replaced less frequently and production does not have to be stopped as often. The higher system availability allows more production and you increase your profit

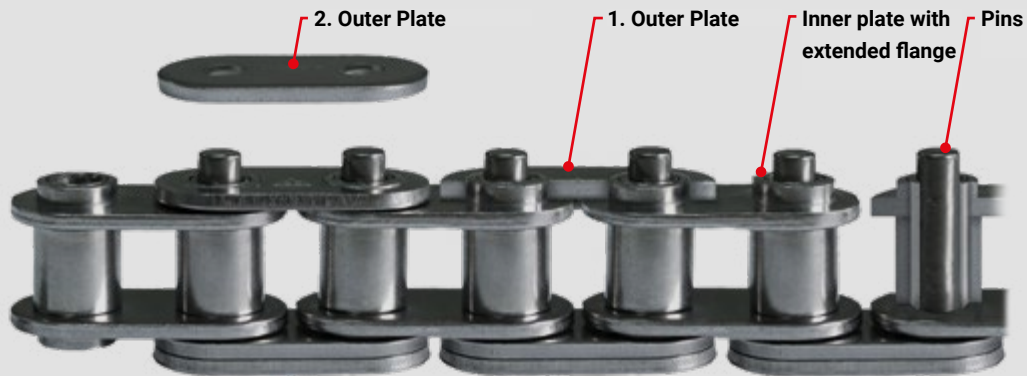


Safety

MEGA II roller chains are more robust and withstand continuous loads longer



ADVANTAGES COMPARED TO STANDARD STAINLESS STEEL ROLLER CHAINS



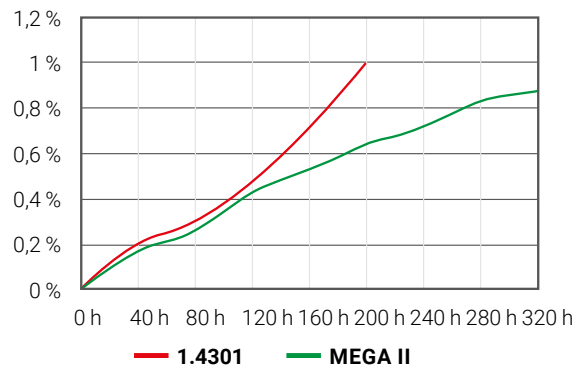
1. Less chain elongation and longer Life time

Flanges on the inner plates and longer bushes increase the bearing area and reduce the pressure on bearing area (with the same chain tension).

2. Can be used with standard sprockets

Functional dimensions such as pitch, inner width and roller diameter of MEGA II roller chains comply with ANSI, ISO and DIN standards. They fit standard sprockets, so stainless ISO roller chains can be replaced easily and without expensive modifications to the machine.

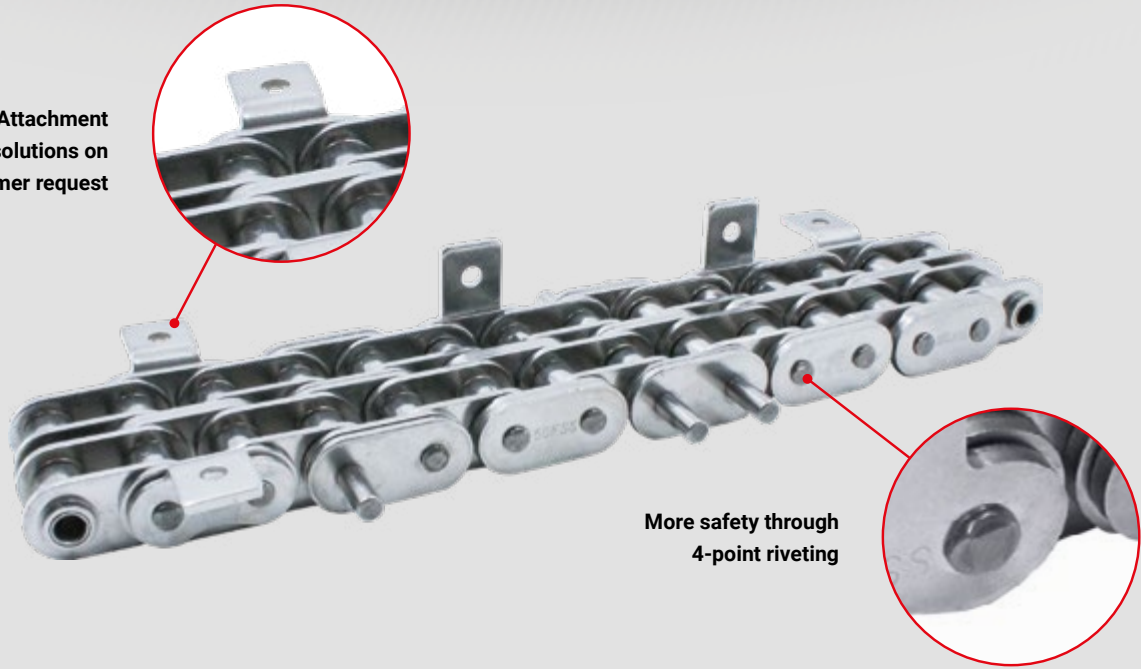
WEAR ELONGATION



Note:

Due to the double outer link plates, only the total width is larger than with standard roller chains. Please check whether your chain guides and attachments fit the outer dimensions of the MEGA II roller chains.

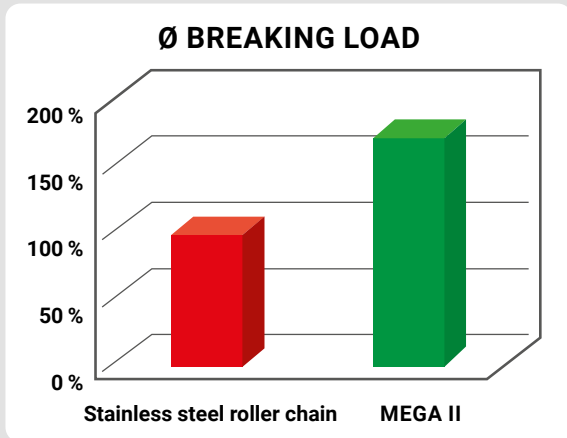
Attachment solutions on customer request



More safety through 4-point riveting

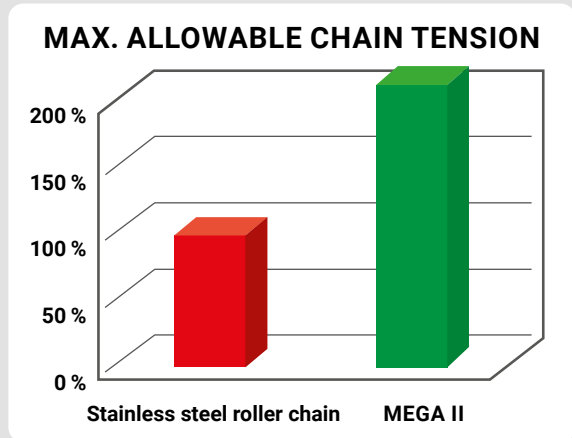
3. Higher fatigue strength and breaking load

MEGA II roller chains offer almost double the tensile strength, allowable load and up to 50% longer life time, as stainless ISO roller chains.



4. Stable against lateral pressure

MEGA II roller chains are 4-point riveted. This increases safety against lateral loads.



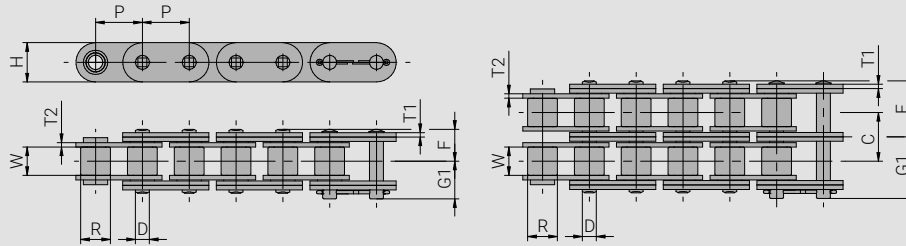
5. Flexible, customised attachment solutions

MEGA II roller chains can be produced with extended plates, extended pins or customised attachments according to your requirements.





FB HEAVY DUTY ROLLER CHAINS MEGA II STAINLESS STEEL, FOLLOWING ISO 606



Chain type	Pitch		Connecting links	Inner width	Rollers	Plates			Pins			Centre distance	Allowable Chain tension	Weight
	P					W min	W min	Ø R max	H max	T1 max	T2 max			
	(inches)	(mm)	(mm)	(mm)	(mm)							(mm)	(mm)	(mm)
40-1FBSS-MEGA II	½"	12,700	SG, NG	7,85	7,92	12,00	1,50	1,50	3,96	9,65	11,55	-	784	0,90
40-2FBSS-MEGA II	½"	12,700	SG, NG	7,85	7,92	12,00	1,50	1,50	3,96	16,85	18,75	14,40	1.176	1,80
50-1FBSS-MEGA II	⅝"	15,875	SG, NG	9,40	10,16	15,00	2,00	2,00	5,06	12,15	14,25	-	1.274	1,60
50-2FBSS-MEGA II	⅝"	15,875	SG, NG	9,40	10,16	15,00	2,00	2,00	5,06	21,20	23,30	18,10	2.058	3,10
60-1FBSS-MEGA II	¾"	19,050	SG, NG	12,57	11,91	18,10	2,35	2,35	5,94	15,10	17,45	-	1.764	2,30
60-2FBSS-MEGA II	¾"	19,050	SG, NG	12,57	11,91	18,10	2,35	2,35	5,94	26,55	28,85	22,80	3.038	4,60
80-1FBSS-MEGA II	1"	25,400	SG, NG	15,75	15,88	24,00	3,00	3,00	7,94	19,30	21,95	-	3.136	2,60
80-2FBSS-MEGA II	1"	25,400	SG, NG	15,75	15,88	24,00	3,00	3,00	7,94	33,95	36,60	29,30	5.292	5,20

FB heavy-duty roller chains MEGA II stainless steel, following ISO 606 - DIN 8188. Dimensions of 50FBSS-MEGA II are identical with 10BFBSS-MEGA III!

Chain type	Pitch		Connecting links	Inner width	Rollers	Plates			Pins			Centre distance	Allowable Chain tension	Weight
	P					W min	W min	Ø R max	H max	T1 max	T2 max			
	(inches)	(mm)	(mm)	(mm)	(mm)							(mm)	(mm)	(mm)
08B-1FBSS-MEGA II	½"	12,700	SG, NG	7,75	8,51	11,81	1,50	1,50	4,44	9,70	11,55	-	882	1,00
08B-2FBSS-MEGA II	½"	12,700	SG, NG	7,75	8,51	11,81	1,50	1,50	4,44	16,65	18,50	13,92	1.372	1,90
10B-1FBSS-MEGA II	⅝"	15,875	SG, NG	9,40	10,16	15,00	2,00	2,00	5,06	12,15	14,25	-	1.274	1,60
10B-2FBSS-MEGA II	⅝"	15,875	SG, NG	9,40	10,16	15,00	2,00	2,00	5,06	21,20	23,30	18,10	2.058	3,10
12B-1FBSS-MEGA II	¾"	19,050	SG, NG	11,68	12,07	16,00	1,80	1,80	5,67	13,00	15,30	-	1.519	1,70
12B-2FBSS-MEGA II	¾"	19,050	SG, NG	11,68	12,07	16,00	1,80	1,80	5,67	22,75	25,00	19,46	2.548	3,40
16B-1FBSS-MEGA II	1"	25,400	SG, NG	17,02	15,88	24,00	3,15	3,00	8,28	19,95	22,35	-	3.234	3,00
16B-2FBSS-MEGA II	1"	25,400	SG, NG	17,02	15,88	24,00	3,15	3,00	8,28	35,89	38,29	31,88	5.488	6,10

FB heavy-duty roller chains MEGA II stainless steel, following ISO 606 - DIN 8187. Dimensions of 50FBSS-MEGA II are identical with 10BFBSS-MEGA III!



FB POLYSTEEL CHAINS

FB Polysteel chains replace stainless roller chains and comply with the strict EU hygiene guidelines as well as the specifications of the FDA. This makes lubricants unnecessary and increases the life time of the chains. They consist of inner links made of fibre-reinforced plastic and pins and outer plates made of high-quality stainless steel.

Traditional stainless steel roller chains, commonly used in the food and pharmaceutical industries are highly susceptible to wear. The risk of contamination from lubricants often leads to dry-running. Especially when direct contact with food or medicines is unavoidable. These chains therefore have a short service life and high replacement costs.



Operating conditions

-20 °C - +80 °C,
pH-value 4-9, $v_{max} = 70 \text{ m/min. (1,17 m/s.)}$
 $\mu_1 = 0,25$



Different attachment designs

The installation of stainless steel attachments or extended pins is possible without any problems

ADVANTAGES



Maintenance-free

Due to the combination of inner links made of technical plastic and stainless steel link plates and pins made of 1.4301 (AISI304), the chains do not need to be lubricated



Longer service life

Due to the technical plastic in combination with the stainless steel components, FB Polysteel chains have a lower elongation than stainless steel roller chains



Weight saving

FB Polysteel chains are up to 50% lighter than steel chains. This allows for better handling, easier assembly and disassembly



Noise reduction

Metal chains cause noise by running into the sprocket. Thanks to the inner links made of technical plastic FB Polysteel chains operate much more quietly



Approval for use in the food industry

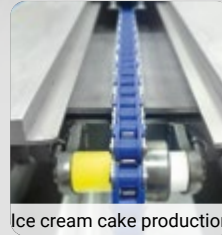
FB polysteel chains are made of FDA conforming technical plastic and stainless steel pins and plates



AREAS OF APPLICATION

FB Polysteel chains are perfect for use in:

- the food industry
- the pharmaceutical industry
- packaging plants
- clean rooms
- the optical industry
- clean operating conditions, where low noise is very important
- Machines in which the chains are inaccessible and are difficult to maintain or can be relubricated
- Machines where a small size of the chains is very important



Ice cream cake production



Cardboard packer

Why should you use maintenance-free polysteel chains from FB?

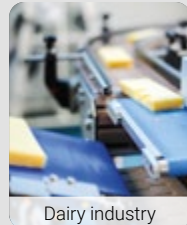
- Interchangeable with common stainless steel roller chains and no adaptation of the sprockets or other conveyor components necessary
- Inner links made of food-grade plastic
- up to 50% lighter than stainless steel roller chains - sustainable, higher energy efficiency, environmentally friendly, lower operating costs
- run more quietly than stainless steel roller chains - lower noise pollution for your employees
- No lubricant residues and significantly less material residues and abrasion in the chain bearing area - avoidance of contamination of the conveyed material
- Standard dimensions usually available from stock



Bakery industry



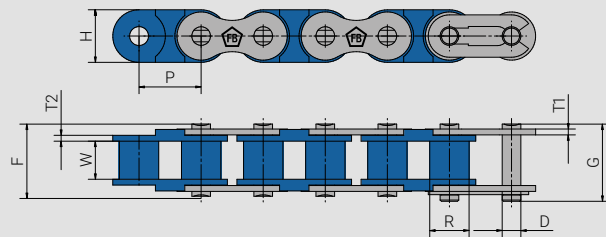
Pharmaceutical industry



Dairy industry

DIMENSIONS AND DELIVERY CONDITIONS

Currently the following chain types are according to the dimensions for roller chains DIN 8187 (ISO 606) and DIN 8188 (ANSI) are available, other dimensions on request.



Chain type	Pitch		inner width	Rol- lers	Plates			Pins			Allowable Chain tension	Weight
	P		W min	Ø R max	H max	T1 max	T2 max	Ø D max	F max	G max	max	
	(inches)	(mm)	(mm)	(mm)	(mm)	(mm)	(mm)	(mm)	(mm)	(mm)	(N)	
SS06B-1PC-FG	3/8"	9,525	5,72	6,35	8,60	1,00	1,30	3,28	12,15	13,80	200	0,22
SS08B-1PC-FG	1/2"	12,700	7,75	8,51	11,81	1,50	1,60	4,45	16,40	17,65	470	0,37
SS10B-1PC-FG	5/8"	15,875	9,65	10,16	14,73	1,65	1,65	5,08	19,20	20,70	540	0,51
SS12B-1PC-FG	3/4"	19,050	11,68	12,07	16,13	1,80	1,80	5,75	22,15	23,70	710	0,68
SS25-1PC	1/4"	6,350	3,10	3,30	6,02	0,75	1,30	2,31	8,85	9,90	80	0,10
SS35-1PC	3/8"	9,525	4,68	5,08	9,05	1,20	2,20	3,60	13,60	14,80	180	0,22
SS40-1PC	1/2"	12,700	7,85	7,92	12,07	1,50	1,50	3,98	16,40	17,60	450	0,39
SS50-1PC	5/8"	15,875	9,40	10,16	15,09	2,00	2,20	5,09	20,25	21,80	700	0,58
SS60-1PC	3/4"	19,050	12,57	11,91	18,10	2,40	2,40	5,96	25,05	26,70	900	0,82

FB Polysteel chains work on standard sprockets for roller chains - the use of stainless sprockets is recommended. Chains are also available with galvanised or nickel-plated pins and plates. As a straight number of links is required, offset links are not possible.



SPROCKETS PCD METRIC PITCH

Pitch circle diameter Td (mm) = n*p

Number of teeth	Z	n	Pitch p (mm)										
			06B 06C	08B ASA40	10B ASA50	12B ASA60	16B ASA80	20B ASA100	24B ASA120	28B ASA140	32B ASA160	40B ASA200	48B ASA240
6	2,0000	19,05	25,40	31,75	38,10	50,80	63,50	76,20	88,90	101,60	127,00	152,40	177,80
7	2,3048	21,95	29,27	36,59	43,91	58,54	73,18	87,81	102,45	117,08	146,35	175,62	204,89
8	2,6131	24,89	33,19	41,48	49,78	66,37	82,97	99,56	116,15	132,75	165,93	199,12	232,31
9	2,9238	27,85	37,13	46,42	55,70	74,26	92,83	111,40	129,96	148,53	185,66	222,79	259,93
10	3,2361	30,82	41,10	51,37	61,65	82,20	102,75	123,29	143,84	164,39	205,49	246,59	287,69
11	3,5495	33,81	45,08	56,35	67,62	90,16	112,70	135,23	157,77	180,31	225,39	270,47	315,55
12	3,8637	36,80	49,07	61,34	73,60	98,14	122,67	147,21	171,74	196,28	245,35	294,41	343,48
13	4,1786	39,80	53,07	66,33	79,60	106,14	132,67	159,20	185,74	212,27	265,34	318,41	371,48
14	4,4940	42,80	57,07	71,40	85,61	114,15	142,68	171,22	199,76	228,29	285,37	342,44	399,51
15	4,8097	45,81	61,08	76,35	91,63	122,17	152,71	183,25	213,79	244,33	305,42	366,50	427,59
16	5,1258	48,82	65,10	81,37	97,65	130,20	162,75	195,29	227,84	260,39	325,49	390,59	455,69
17	5,4422	51,84	69,12	86,39	103,67	138,23	172,79	207,35	241,91	276,46	345,58	414,69	483,81
18	5,7588	54,85	73,14	91,42	109,70	146,27	182,84	219,41	255,98	292,55	365,68	438,82	511,95
19	6,0755	57,87	77,16	96,45	115,74	154,32	192,90	231,48	270,06	308,64	385,80	462,96	540,11
20	6,3925	60,89	81,18	101,48	121,78	162,37	202,96	243,55	284,14	324,74	405,92	487,10	568,29
21	6,7095	63,91	85,21	106,51	127,82	170,42	213,03	255,63	298,24	340,84	426,05	511,26	596,48
22	7,0267	66,93	89,24	111,55	133,86	178,48	223,10	267,72	312,34	356,96	446,19	535,43	624,67
23	7,3439	69,95	93,27	116,59	139,90	186,54	233,17	279,80	326,44	373,07	466,34	559,61	652,88
24	7,6613	72,97	97,30	121,62	145,95	194,60	243,25	291,90	340,54	389,19	486,49	583,79	681,09
25	7,9787	76,00	101,33	126,66	151,99	202,66	253,32	303,99	354,65	405,32	506,65	607,98	709,31
26	8,2962	79,02	105,36	131,70	158,04	210,72	263,41	316,09	368,77	421,45	526,81	632,17	737,53
27	8,6138	82,05	109,40	136,74	164,09	218,79	273,49	328,19	382,88	437,58	546,98	656,37	765,77
28	8,9314	85,07	113,43	141,79	170,14	226,86	283,57	340,29	397,00	453,72	567,14	680,57	794,00
29	9,2491	88,10	117,46	146,83	176,19	234,93	293,66	352,39	411,12	469,85	587,32	704,78	822,24
30	9,5668	91,12	121,50	151,87	182,25	243,00	303,75	364,49	425,24	485,99	607,49	728,99	850,49

31	9,8845	45	14,3356	59	18,7892	73	23,2438	87	27,6990	101	32,1545
32	10,2023	46	14,6536	60	19,1073	74	23,5620	88	28,0172	102	32,4727
33	10,5201	47	14,9717	61	19,4255	75	23,8802	89	28,3355	103	32,7910
34	10,8380	48	15,2898	62	19,7437	76	24,1984	90	28,6537	104	33,1093
35	11,1558	49	15,6079	63	20,0618	77	24,5167	91	28,9720	105	33,4275
36	11,4737	50	15,9260	64	20,3800	78	24,8349	92	29,2902	106	33,7458
37	11,7916	51	16,2441	65	20,6982	79	25,1531	93	29,6085	107	34,0641
38	12,1096	52	16,5622	66	21,0164	80	25,4713	94	29,9267	108	34,3823
39	12,4275	53	16,8803	67	21,3346	81	25,7896	95	30,2450	109	34,7006
40	12,7455	54	17,1984	68	21,6528	82	26,1078	96	30,5632	110	35,0188
41	13,0635	55	17,5166	69	21,9710	83	26,4260	97	30,8815		
42	13,3815	56	17,8347	70	22,2892	84	26,7443	98	31,1997		
43	13,6995	57	18,1529	71	22,6074	85	27,0625	99	31,5180		
44	14,0175	58	18,4710	72	22,9256	86	27,3807	100	31,8362		

Pitch circle diameter Td (mm) = n*p

Number of teeth	Z	n	Pitch p (mm)
			06B 06C
6	2,0000	19,05	9,525

$\varnothing = n \times p$

Calculate the pitch circle diameter.

Example: $\varnothing = n \times p$
 $19.05 = 2.0000 \times 9.525$



FB SHEAR BOLT SPROCKETS

Better, faster, safer, more sustainable and even more cheaper. Sounds too good to be true?

Not with FB Ketten. Thanks to our shear bolt sprockets tested in practice several times, we offer an innovative individually replaceable tooth segments, we offer an innovative solution. Dangerous work at lofty heights, e.g. on silos, hiring a truck-mounted crane or high costs for spare parts and enormous storage values can thus be avoided or significantly reduced.



ADVANTAGES



Low weight

No mobile crane necessary, as the individual tooth segments weigh only approx. 15-25 kg. Also reduces the risk of accidents during disassembly or assembly



Cost-saving

Individual tooth segments are more cost-effective than complete sprockets - this reduces your spare parts costs and your stock value



Time saving

Significantly less time required to replace the sprocket segments compared to complete sprockets



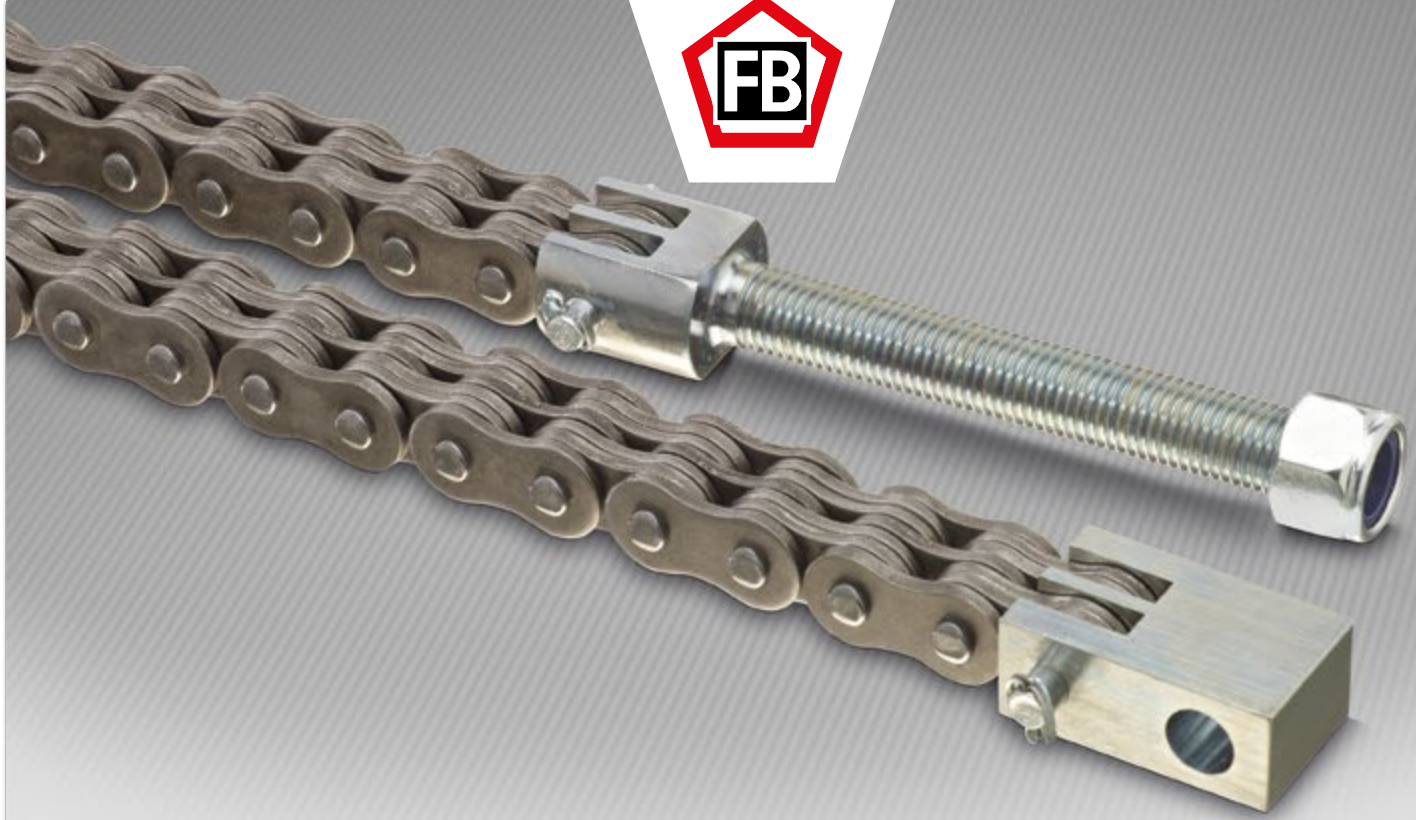
Modification of existing sprockets possible

Modification of existing shear bolt sprockets and in-house standardisation possible



Long life time

Longer life time of the sprocket teeth and the chains due to induction hardened tooth flanks



FB LEAF CHAINS

DIN 8152, ISO 4347, ANSI B29.8

Leaf chains are safety critical components which transmit very high tensile forces while being small in size. They are most frequently used in industrial vehicles, forklift trucks, telehandlers, lifting tables, machining centers, storage systems or stabilizing chains in timber stackers. FB leaf chains achieve breaking loads and fatigue strengths that far exceed DIN-ISO specifications.



High operational safety and system availability

Fatigue strength and breaking load exceed DIN-ISO specifications



High quality and long service life

High-quality steels, optimised chain design, process-controlled component production and heat treatment as well as fully automated chain assembly guarantee consistent high quality



Special chains

We build many leaf chains with dimensions and plate designs that deviate from the DIN-ISO standard

ADVANTAGES



High fatigue strength and durability

Plates with precise punching, optimised press fits, large bearing surfaces, quality steels and heat treatments



Reduced initial elongation

Fully automated dynamic pre-stretching



Consistent quality

We monitor and control every production step. In addition to our quality controls during production, we regularly have our chains tested by external testing institutes



Short delivery times

Also for leaf chains with plastic add-on parts



Resource-saving, sustainable and cost-efficient

FB chain cutting service - we cut the chains to length according to your specifications at short notice. For you, this means less waste, lower costs and less work

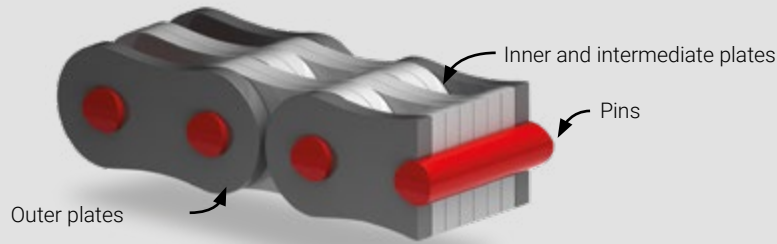


Ready-to-install complete packages

We supply ready-to-install kit-solutions: leaf chains, anchor bolts, chain fasteners, connecting pins and pulleys



MATERIALS, HEAT TREATMENTS AND MANUFACTURING PROCESSES



	Pins	Outer plates	Inner and intermediate plates
Materials:	alloy steels	carbon steels (C steels)	
Heat treatment:	hardened	hardened and tempered	
Manufacturing:	centreless ground	precision punched plate holes, double or triple punched (depending on chain dimension and application), shot-peened, assembled with optimised press fit and riveted	double or triple punched (depending on chain dimension and application), shot peened, mounted with slip-fit and rotating on pin



Batch identification for traceability



Optical component inspection

All components and assembled chains are checked using automated photo technology. Missing components, pins that are too short, defective riveting or other potential problems and defects are immediately marked and rejected at this point. Our optical image recognition systems (CCD = Charge Coupled Device) are integrated into the assembly lines and, after years of continuous improvements, have replaced almost all manual or mechanical inspection methods.

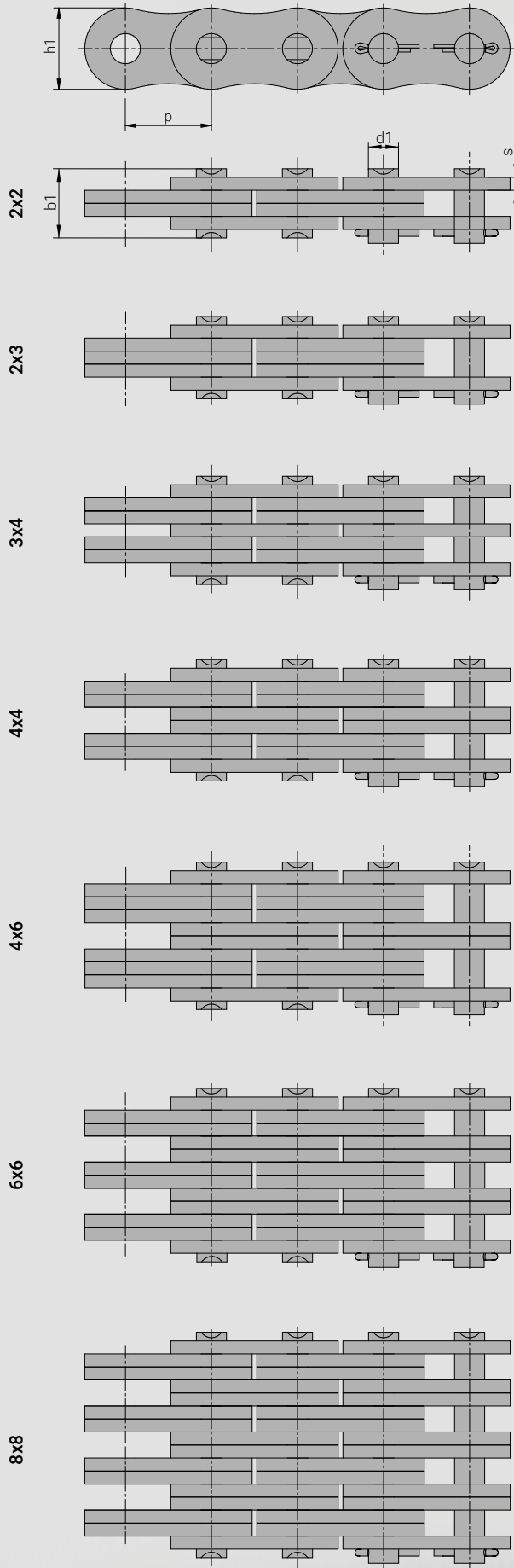
FB tools

The chain wear gauge developed by FB engineers is the most accurate and suitable measuring tool to determine chain wear. It can be used for chains from 3/8" to 3" and visually indicates the state of wear. Chain cutting tools and chain brushes are also available in proven FB quality.

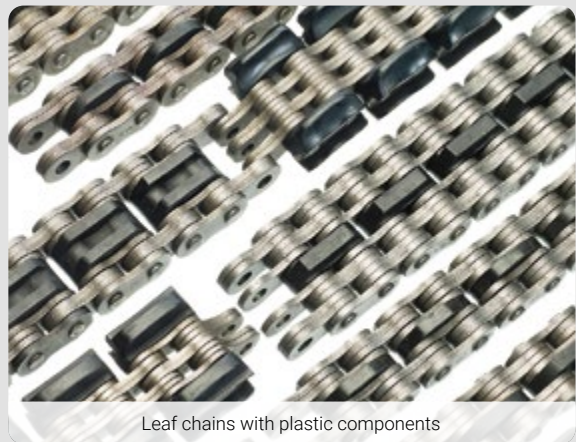
Initial lubrication

FB leaf chains are supplied with optimised initial lubrication. During the lubrication process, the joints are rotating so that the oil can penetrate safely to the lubrication points (into the chain link). The lubricant protects against corrosion minimises wear and noise.

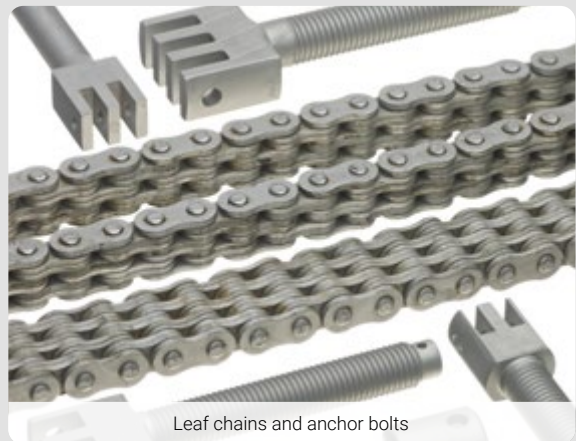
FB LEAF CHAIN DESIGNS



Batch identification for traceability



Leaf chains with plastic components



Leaf chains and anchor bolts



Pulley with brass bearing



FB LEAF CHAINS HEAVY SERIES BL (LH)

Chain type	Alternative name	Plate combination	Pitch		Plates		Pins		Breaking load		Weight (kg/m)
			p		h ₁ max	s max	Ø d ₁ max	b ₁ max	DIN	Ø FB	
			(inches)	(mm)	(mm)	(mm)	(mm)	(mm)	(N)	(N)	
BL422	LH0822	2x2	1/2"	12,700	12,00	2,00	5,06	10,60	22.200	29.400	0,69
BL423	LH0823	2x3	1/2"	12,700	12,00	2,00	5,06	12,60	22.200	29.400	0,77
BL434	LH0834	3x4	1/2"	12,700	12,00	2,00	5,06	16,80	33.400	44.100	1,07
BL444	LH0844	4x4	1/2"	12,700	12,00	2,00	5,06	18,90	44.500	58.900	1,19
BL446	LH0846	4x6	1/2"	12,700	12,00	2,00	5,06	23,10	44.500	58.900	1,48
BL466	LH0866	6x6	1/2"	12,700	12,00	2,00	5,06	27,20	66.700	88.300	1,80
BL523	LH1023	2x3	5/8"	15,875	14,85	2,40	5,95	15,20	33.400	44.100	1,13
BL534	LH1034	3x4	5/8"	15,875	14,85	2,40	5,95	20,10	48.900	66.700	1,56
BL544	LH1044	4x4	5/8"	15,875	14,85	2,40	5,95	22,65	66.700	88.300	1,78
BL546	LH1046	4x6	5/8"	15,875	14,85	2,40	5,95	27,50	66.700	88.300	2,22
BL566	LH1066	6x6	5/8"	15,875	14,85	2,40	5,95	32,50	100.100	132.400	2,74
BL623	LH1223	2x3	3/4"	19,050	17,90	3,15	7,94	19,35	48.900	68.700	1,82
BL634	LH1234	3x4	3/4"	19,050	17,90	3,15	7,94	25,95	75.600	103.000	2,52
BL644	LH1244	4x4	3/4"	19,050	17,90	3,15	7,94	29,50	97.900	137.300	2,87
BL646	LH1246	4x6	3/4"	19,050	17,90	3,15	7,94	36,00	97.900	137.300	3,57
BL666	LH1266	6x6	3/4"	19,050	17,90	3,15	7,94	42,35	146.800	206.000	4,27
BL822	LH1622	2x2	1"	25,400	24,00	3,90	9,52	21,11	84.500	117.700	2,30
BL823	LH1623	2x3	1"	25,400	24,00	3,90	9,52	25,25	84.500	117.700	3,15
BL834	LH1634	3x4	1"	25,400	24,00	3,90	9,52	33,53	129.000	176.600	4,37
BL844	LH1644	4x4	1"	25,400	24,00	3,90	9,52	37,67	169.000	235.400	4,98
BL846	LH1646	4x6	1"	25,400	24,00	3,90	9,52	45,95	169.000	235.400	6,20
BL866	LH1666	6x6	1"	25,400	24,00	3,90	9,52	54,23	253.600	353.200	7,50
BL1023	LH2023	2x3	1 1/4"	31,750	30,10	4,70	11,10	29,70	115.600	157.000	3,85
BL1034	LH2034	3x4	1 1/4"	31,750	30,10	4,70	11,10	39,50	182.400	235.400	5,84
BL1044	LH2044	4x4	1 1/4"	31,750	30,10	4,70	11,10	44,40	231.300	313.900	7,20
BL1046	LH2046	4x6	1 1/4"	31,750	30,10	4,70	11,10	54,20	231.300	313.900	8,24
BL1066	LH2066	6x6	1 1/4"	31,750	30,10	4,70	11,10	64,00	347.000	470.900	10,63
BL1222	LH2422	2x2	1 1/2"	38,100	35,00	4,70	12,70	29,05	151.200	201.100	4,83
BL1223	LH2423	2x3	1 1/2"	38,100	35,00	4,70	12,70	34,85	151.200	201.100	6,54
BL1234	LH2434	3x4	1 1/2"	38,100	35,00	5,60	12,70	46,50	244.600	301.700	9,10
BL1244	LH2444	4x4	1 1/2"	38,100	35,00	5,60	12,70	52,30	302.500	402.200	10,39
BL1246	LH2446	4x6	1 1/2"	38,100	35,00	5,60	12,70	63,95	302.500	402.200	12,01
BL1266	LH2466	6x6	1 1/2"	38,100	35,00	5,60	12,70	75,60	453.700	603.300	14,58
BL1422	LH2822	2x2	1 3/4"	44,450	42,00	6,40	14,28	32,90	191.300	225.600	7,20
BL1423	LH2823	2x3	1 3/4"	44,450	42,00	6,40	14,28	39,40	191.300	225.600	9,05
BL1434	LH2834	3x4	1 3/4"	44,450	42,00	6,40	14,28	52,60	315.800	372.800	12,60
BL1444	LH2844	4x4	1 3/4"	44,450	42,00	6,40	14,28	59,30	382.600	451.300	14,41
BL1446	LH2846	4x6	1 3/4"	44,450	42,00	6,40	14,28	72,40	382.600	451.300	17,98
BL1466	LH2866	6x6	1 3/4"	44,450	42,00	6,40	14,28	85,70	578.300	676.900	21,52
BL1488	LH2888	8x8	1 3/4"	44,450	42,00	6,40	14,28	112,00	765.100	902.500	28,59
BL1622	LH3222	2x2	2"	50,800	48,00	7,20	17,45	36,70	289.100	343.400	9,72
BL1623	LH3223	2x3	2"	50,800	48,00	7,20	17,45	44,10	289.100	343.400	12,11
BL1634	LH3234	3x4	2"	50,800	48,00	7,20	17,45	59,70	440.400	539.600	16,86
BL1644	LH3244	4x4	2"	50,800	48,00	7,20	17,45	67,40	578.300	686.700	19,22
BL1646	LH3246	4x6	2"	50,800	48,00	7,20	17,45	82,55	578.300	686.700	23,92
BL1666	LH3266	6x6	2"	50,800	48,00	7,20	17,45	98,05	867.400	1.030.100	28,71
BL1688	LH3288	8x8	2"	50,800	48,00	7,20	17,45	128,40	1.156.500	1.373.400	38,19



FB LEAF CHAINS LIGHTWEIGHT SERIES LL (EL)



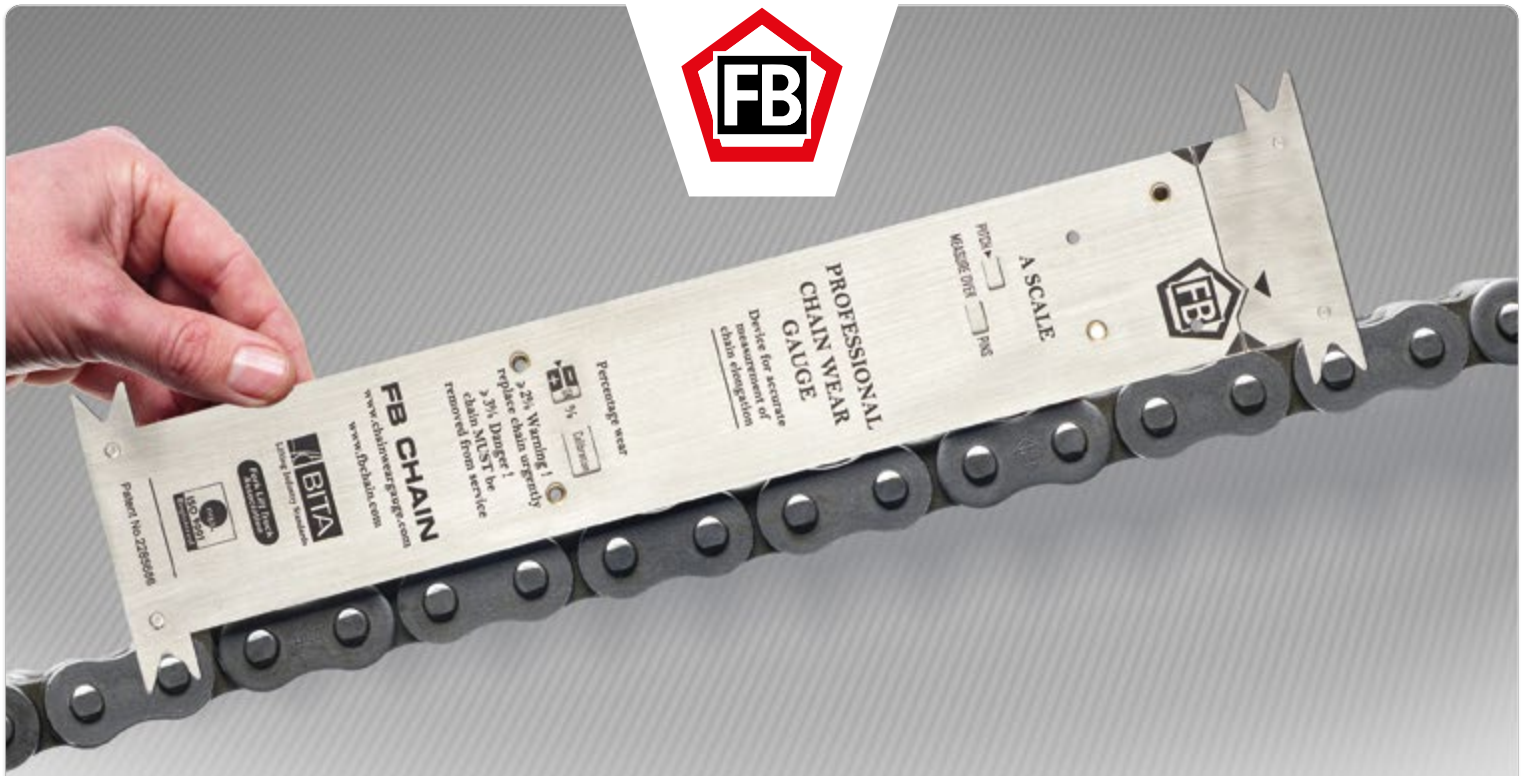
Chain type	Alternative name	Plate combination	Pitch		Plates		Pins		Breaking load		Weight (kg/m)
			p		h ₁ max	s max	Ø d ₁ max	b ₁ max	DIN	Ø FB	
			(inches)	(mm)	(mm)	(mm)	(mm)	(mm)	(N)	(N)	
LL0822	EL422	2x2	1/2"	12,700	10,20	1,50	4,44	8,25	18.000	17.800	0,36
LL0844	EL444	4x4	1/2"	12,700	10,20	1,50	4,44	14,50	36.000	36.400	0,69
LL0866	EL466	6x6	1/2"	12,700	10,20	1,50	4,44	20,75	54.000	54.600	1,05
LL1022	EL522	2x2	5/8"	15,875	13,00	1,65	5,06	9,00	22.000	25.500	0,50
LL1044	EL544	4x4	5/8"	15,875	13,00	1,65	5,06	15,90	44.000	51.000	1,00
LL1066	EL566	6x6	5/8"	15,875	13,00	1,65	5,06	22,77	66.000	78.500	1,48
LL1088	EL588	8x8	5/8"	15,875	13,00	1,65	5,06	29,60	89.000	104.000	1,95
LL1222	EL622	2x2	3/4"	19,050	16,00	1,80	5,72	10,10	29.000	39.200	0,74
LL1244	EL644	4x4	3/4"	19,050	16,00	1,80	5,72	17,70	58.000	65.000	1,45
LL1266	EL666	6x6	3/4"	19,050	16,00	1,80	5,72	25,30	87.000	97.000	2,16
LL1622	EL822	2x2	1"	25,400	20,80	3,20	8,27	16,65	60.000	78.500	1,57
LL1644	EL844	4x4	1"	25,400	20,80	3,20	8,27	30,05	120.000	157.000	3,09
LL1666	EL866	6x6	1"	25,400	20,80	3,20	8,27	43,10	180.000	235.400	4,60
LL2022	EL1022	2x2	1 1/4"	31,750	26,00	3,50	10,18	19,20	95.000	117.700	2,01
LL2044	EL1044	4x4	1 1/4"	31,750	26,00	3,50	10,18	34,00	190.000	235.400	3,93
LL2066	EL1066	6x6	1 1/4"	31,750	26,00	3,50	10,18	48,80	285.000	315.000	5,86
LL2088	EL1088	8x8	1 1/4"	31,750	26,00	3,50	10,18	63,60	380.000	471.000	8,20
LL2422	EL1222	2x2	1 1/2"	38,100	33,00	5,20	14,62	26,15	170.000	176.600	4,18
LL2444	EL1244	4x4	1 1/2"	38,100	33,00	5,20	14,62	47,95	340.000	353.200	8,48
LL2466	EL1266	6x6	1 1/2"	38,100	33,00	5,20	14,62	69,75	510.000	529.700	12,20
LL2488	EL1288	8x8	1 1/2"	38,100	33,00	5,20	14,62	91,55	680.000	706.300	16,00
LL2822	EL1422	2x2	1 3/4"	44,450	37,00	6,40	15,89	31,35	200.000	224.600	5,20
LL2844	EL1444	4x4	1 3/4"	44,450	37,00	6,40	15,89	57,95	400.000	448.300	10,10
LL2866	EL1466	6x6	1 3/4"	44,450	37,00	6,40	15,89	84,55	600.000	673.000	14,90
LL2888	EL1488	8x8	1 3/4"	44,450	37,00	6,40	15,89	111,15	800.000	896.600	19,80
LL3222	EL1622	2x2	2"	50,800	42,20	6,40	17,81	32,50	260.000	291.200	7,20
LL3244	EL1644	4x4	2"	50,800	42,20	6,40	17,81	58,50	520.000	582.400	12,86
LL3266	EL1666	6x6	2"	50,800	42,20	6,40	17,81	84,50	780.000	873.600	18,43
LL3288	EL1688	8x8	2"	50,800	42,20	6,40	17,81	110,70	1.050.000	1.176.000	25,37
LL3244FB(T6)	EL1644FB-6	4x4	2"	50,800	42,00	6,00	17,81	57,00	520.000	540.400	12,50
LL3266FB(T6)	EL1666FB-6	6x6	2"	50,800	42,00	6,00	17,81	110,00	1.050.000	1.080.800	25,00



FB LEAF CHAINS AL, ANSI B29.8



Chain type	Plate combination	Pitch		Plates		Pins		Breaking load		Weight (kg/m)
		p		h ₁ max	s max	Ø d ₁ max	b ₁ max	DIN	Ø FB	
		(inches)	(mm)	(mm)	(mm)	(mm)	(mm)	(N)	(N)	
AL422	2x2	1/2"	12,700	10,20	1,50	3,96	8,05	15.000	17.700	0,36
AL444	4x4	1/2"	12,700	10,20	1,50	3,96	14,35	30.000	35.300	0,71
AL466	6x6	1/2"	12,700	10,20	1,50	3,96	20,70	45.000	53.000	1,22
AL522	2x2	5/8"	15,875	13,00	2,00	5,06	10,60	25.000	30.400	0,63
AL523	2x3	5/8"	15,875	13,00	2,00	5,06	12,70	25.000	30.400	0,78
AL544	4x4	5/8"	15,875	13,00	2,00	5,06	19,00	50.000	60.800	1,23
AL566	6x6	5/8"	15,875	13,00	2,00	5,06	27,40	75.000	91.200	2,10
AL588	8x8	5/8"	15,875	13,00	2,00	5,06	35,85	100.000	121.600	2,46
AL622	2x2	3/4"	19,050	15,50	2,35	5,95	12,40	34.000	44.100	0,90
AL623	2x3	3/4"	19,050	15,50	2,35	5,95	14,85	34.000	44.100	1,12
AL644	4x4	3/4"	19,050	15,50	2,35	5,95	22,30	68.000	88.300	1,78
AL646	4x6	3/4"	19,050	15,50	2,35	5,95	27,30	68.000	88.300	2,25
AL666	6x6	3/4"	19,050	15,50	2,35	5,95	33,25	102.000	132.400	3,03
AL688	8x8	3/4"	19,050	15,50	2,35	5,95	42,20	136.000	176.600	3,60
AL822	2x2	1"	25,400	20,40	3,10	7,94	15,65	59.000	76.500	1,48
AL844	4x4	1"	25,400	20,40	3,10	7,94	28,45	118.000	153.000	2,92
AL866	6x6	1"	25,400	20,40	3,10	7,94	41,25	177.000	229.600	4,97
AL888	8x8	1"	25,400	20,40	3,10	7,94	54,05	236.000	306.000	5,78
AL1022	2x2	1 1/4"	31,750	24,80	3,90	9,52	21,11	86.000	117.700	2,35
AL1044	4x4	1 1/4"	31,750	24,80	3,90	9,52	37,67	172.000	235.400	4,61
AL1066	6x6	1 1/4"	31,750	24,80	3,90	9,52	54,23	258.000	353.200	7,88
AL1088	8x8	1 1/4"	31,750	24,80	3,90	9,52	70,79	344.000	470.900	9,23
AL1222	2x2	1 1/2"	38,100	30,00	4,70	11,10	24,60	122.500	157.000	3,40
AL1244	4x4	1 1/2"	38,100	30,00	4,70	11,10	44,20	245.000	314.000	6,65
AL1266	6x6	1 1/2"	38,100	30,00	4,70	11,10	63,80	367.500	471.000	10,14
AL1444	4x4	1 3/4"	44,450	36,20	5,60	12,70	52,30	309.000	402.200	10,34
AL1466	6x6	1 3/4"	44,450	36,20	5,60	12,70	75,60	463.500	608.200	15,16
AL1644	4x4	2"	50,800	41,40	6,40	14,28	59,55	390.000	539.600	12,98
AL1666	6x6	2"	50,800	41,40	6,40	14,28	86,15	585.000	804.400	19,41
AL1688	8x8	2"	50,800	41,40	6,40	14,28	112,75	780.000	1.079.100	25,84



PROFESSIONAL FB CHAIN WEAR GAUGE

How do I know if I need to replace my roller or leaf chains?



Leaf chains and roller chains must be replaced when the chains have elongated by 2-3 %. At this point, they can no longer be used safely, as fatigue strength and minimum breaking force are greatly reduced from this wear value. From 3 % longitudinal chain wear, leaf and roller chains must be replaced definite-

ly and quickly, as they have less operational safety and no longer offer any safety against shock loads or overloading.

The patented FB chain wear gauge is the most accurate and suitable instrument to check the chain wear on your leaf and roller chains with inch pitch. It can be used in the 3/8" to 3" range and measures link wear in 0,25% increments from 0-4%. From 2 %, it displays a red warning window. This allows you to see if a chain may become a safety risk before the next maintenance. This is also the biggest difference as compared to chain wear gauges from other manufacturers, as these only indicate whether a chain is worn or not. Create a safe working environment with the FB chain wear gauge.

ADVANTAGES



Quick and easy

The FB chain wear gauge is very easy to use. Set the chain pitch (e.g. 1 3/4"), read the length, done! No time-consuming calculations necessary



Safe and accurate

The FB chain wear gauge is the most accurate instrument for measuring chain elongation. It allows you to make sure that leaf and roller chains work properly



Easy to clean

The FB chain wear gauge can be cleaned using water and some washing-up liquid



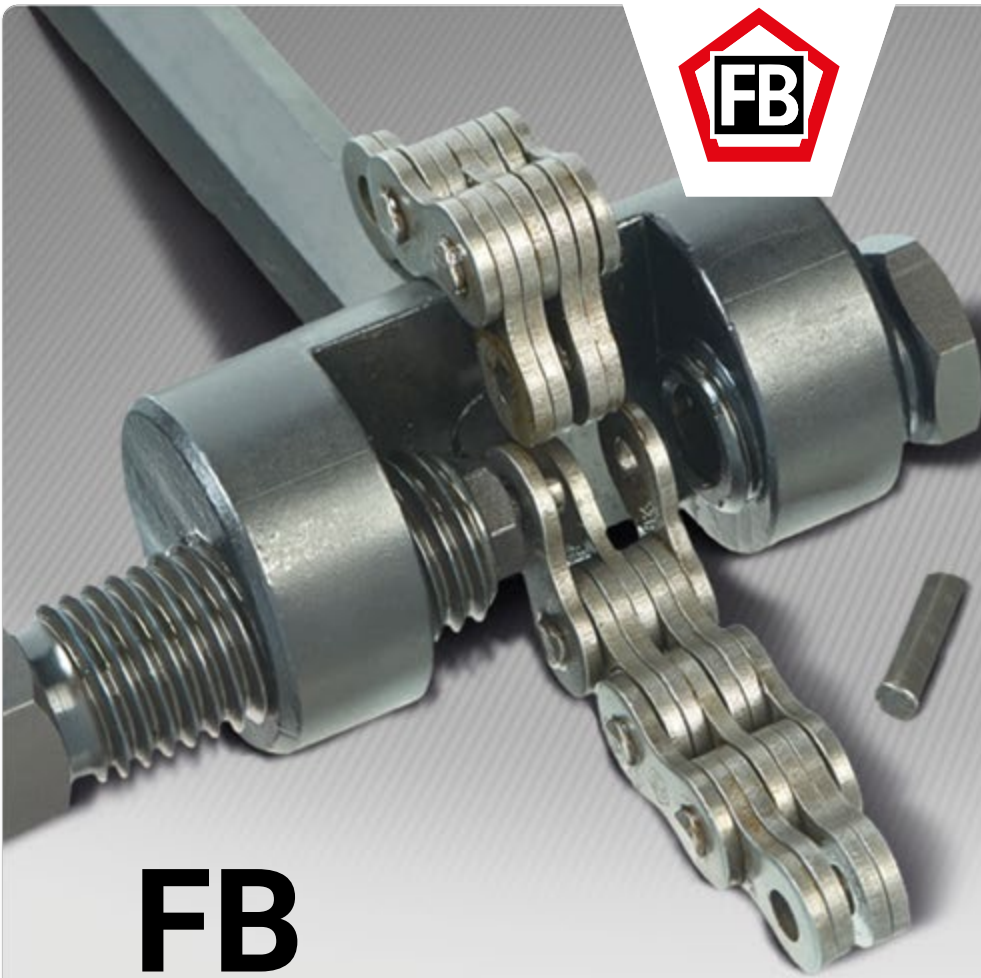
Robust and durable

The FB chain wear gauge is available in two designs. Made of stainless steel and high-quality PVC



Available in several languages

We offer the stainless steel design in German and English. The PVC design is also available in French and Italian



FB CHAIN BREAKER

The FB chain breaker is a successfully used tool for maintenance and length adjustment on leaf and roller chains.

Service and maintenance can be done in literally no time and without much effort. It makes conventional tools for removing rivet heads or cutting chains redundant.

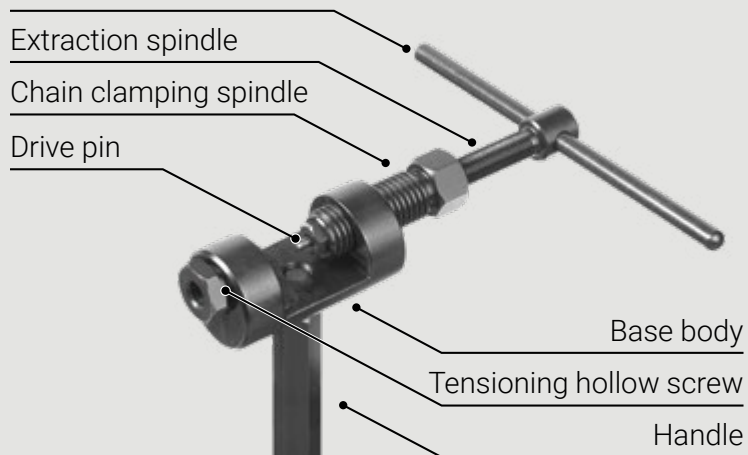
By hand or clamped in a vice, you can easily press pins out of the link plates.

Winch

Extraction spindle

Chain clamping spindle

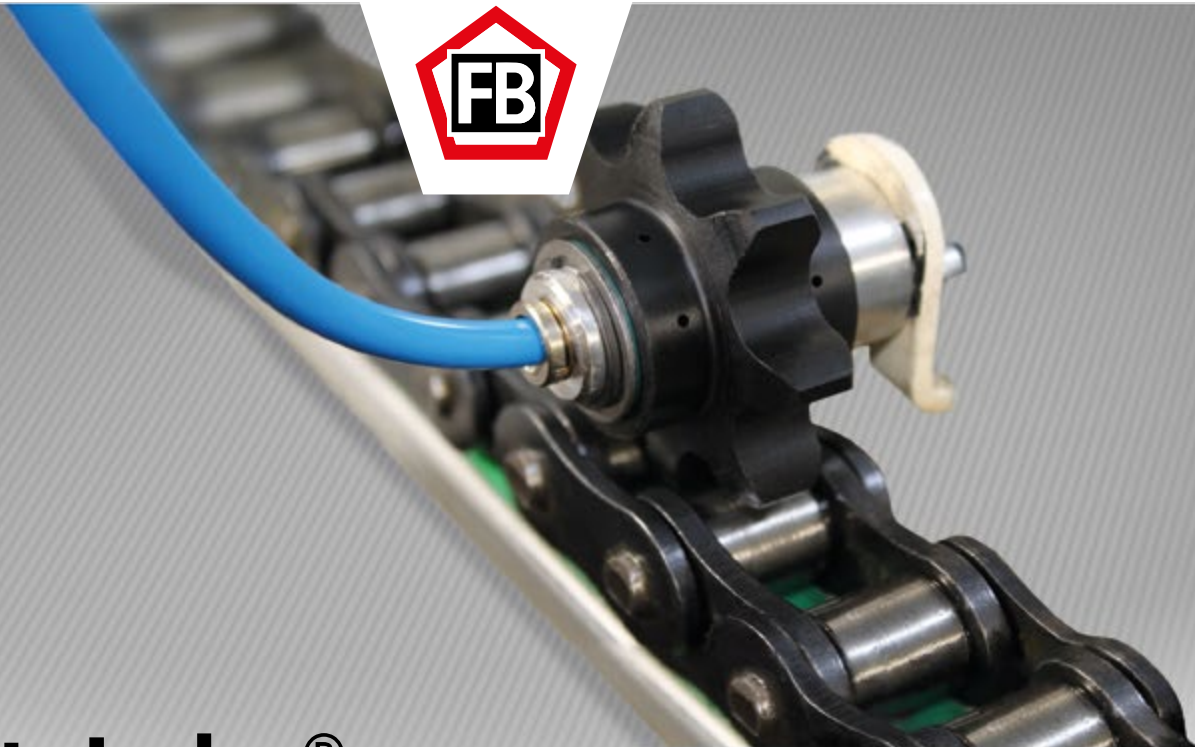
Drive pin



Chain breaker in vice

Part number	Capacity range				Clamping width
	Roller chains ISO 606		Leaf chains ISO 4347		
	Standard	Pitch (inches)	Standard	Pitch (inches)	max. (mm)
KTX1	DIN 8187 DIN 8188	3/8" - 1/2"	DIN 8152-1 (LL/EL) DIN 8152-3 (BL/LH) ANSI 29.8 (AL)	3/8" - 1/2"	27
KTX2	DIN 8187 DIN 8188	1/2" - 3/4"	DIN 8152-1 (LL/EL) DIN 8152-3 (BL/LH) ANSI 29.8 (AL)	1/2" - 3/4" 1/2" - 5/8" 1/2" - 3/4"	27
KTX3	DIN 8187 DIN 8188	5/8" - 1" 5/8" - 1 1/4"	DIN 8152-1 (LL/EL) DIN 8152-3 (BL/LH) ANSI 29.8 (AL)	5/8" - 1" 5/8" - 3/4" 5/8" - 1 1/4"	45

Clamping width = max. pin length



RotaLube® CHAIN LUBRICATION SYSTEM

Extend the service life of your chains and sprockets with the unique RotaLube® automatic lubrication system.

The optimum amount of lubrication at the right time. RotaLube® is the only industrial chain lubrication system that guarantees that the lubricant is applied at the correct lubrication point.

The automatic lubrication reacts to speed changes without delay and works perfectly for roller chains and conveyor chains of any size and type.



ADVANTAGES



Longer chain life

Up to 60 times longer service life, especially recommended in corrosive environments



Cost savings

Increased system availability and profitability, reduces lubricant consumption, energy costs and spare parts costs



Simple and effective application

System runs fully automatically, easy to install, constant monitoring



Flexible

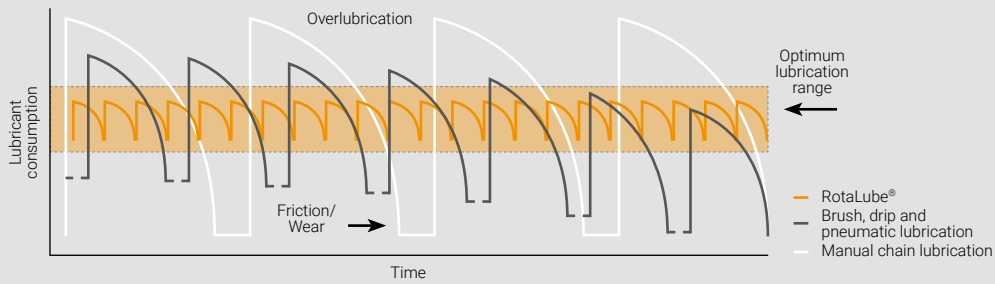
Can be used for different chain sizes, conveyed goods and operating conditions as well as lubricant types and manufacturers, system can lubricate from above, below or from the side



Environmentally friendly

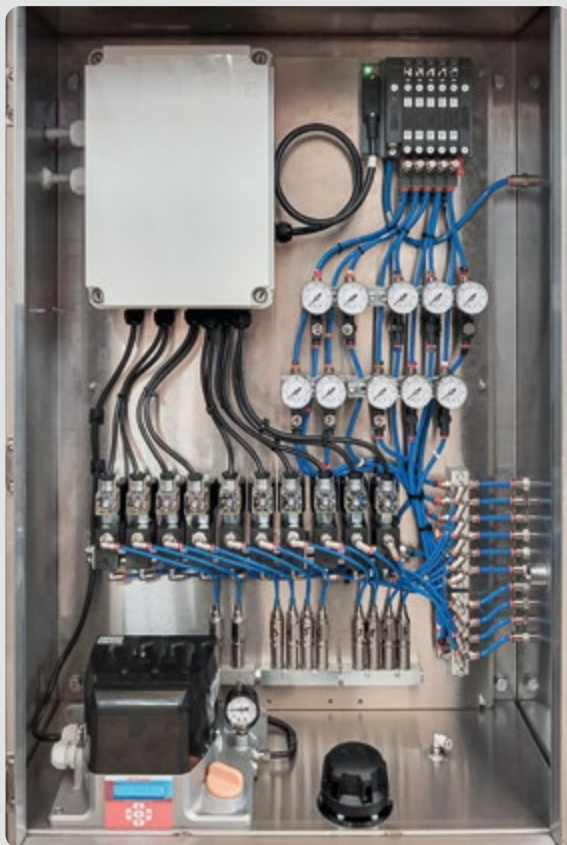
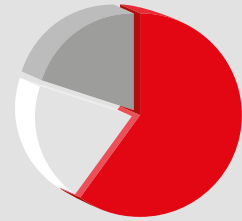
No waste of lubricant by avoiding overlubrication

Efficiency of RotaLube®



Reasons for chain wear

- 60 % incorrect lubrication
- 20 % mechanical damage
- 20 % other reasons



RotaLube®
A member of the Group of Companies



IMPORTANT PROPERTIES OF LUBRICANT:

- very good creep behaviour to quickly penetrate the gap between the chain components
- excellent protection against wear and corrosion
- resistant to dirt, water, various acids, etc.
- highest water and oxidation resistance
- very good long-term adhesion, so that the lubricants cannot be flung from the chain in case of large centrifugal forces
- lubricants with cleaning properties are ideal



CHAIN SOLUTIONS FOR OVER A CENTURY

FB consulting and sales

Belgium	www.fb-ketten.be
Netherlands	www.hefttruck-ketting.nl
Luxembourg	www.forkliftchain.eu
Germany	www.fb-ketten.de
France	www.fb-chain.es
Austria	www.fb-ketten.at
Switzerland	www.fb-ketten.ch
Sweden	www.fb-kedjor.se
Norway	www.fbkjeder.no
Slovakia	www.fb-retezy.eu
Czech Republic	www.fb-retezy.eu

FB production

Finland	www.fbketju.com
England	www.fbchain.com
	www.leafchain.com

FB Ketjutekniikka Oy

Yrittäjätie 14 • 27230 Lappi, Finland • phone +358 207 199 460
fb@fbketju.com • www.fbketju.com

FB Kedjor AB

Sättargatan 4, 63229 Eskilstuna, Sweden • phone +46 161 53300
order@fbkedjor.se • info@fbkedjor.se • www.fb-kedjor.se

FB Chain Ltd

Unit 5, Greenbank Business Park, Dyneley Rd., Blackburn BB1 3AB, United Kingdom • phone +44 1254 580022
sales@fbchain.com • www.fbchain.com

Profitable chain-solutions for a sustainable tomorrow